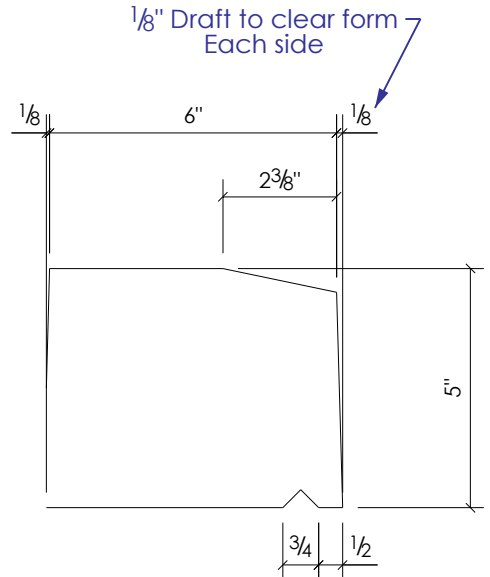
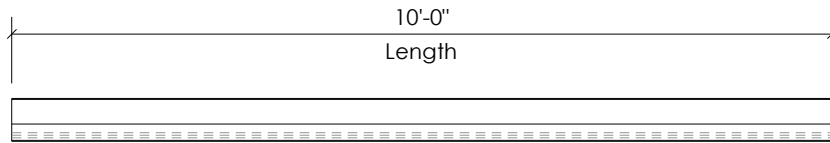


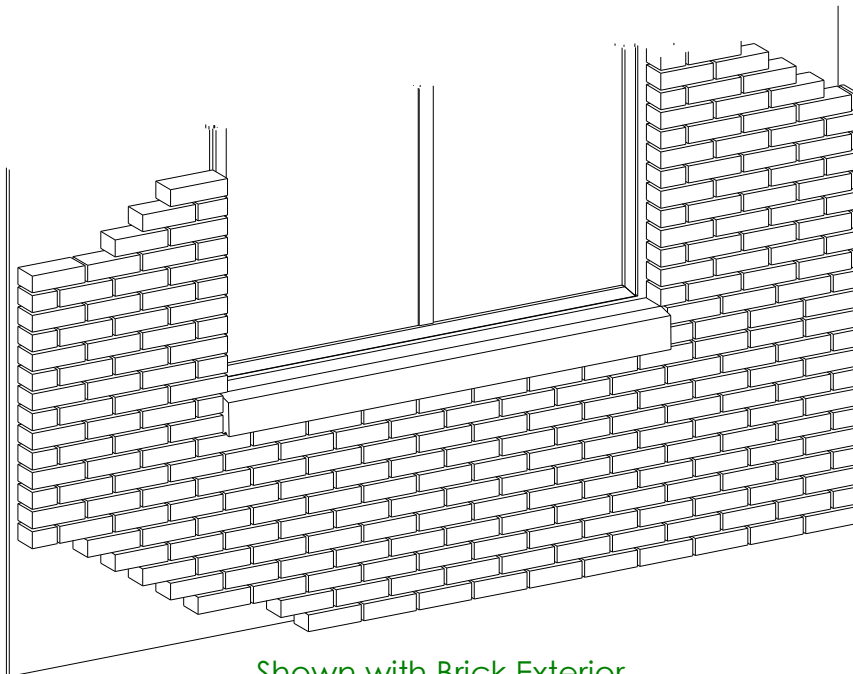
STANDARD WINDOW SILL



SIDE VIEW



TOP VIEW



Shown with Brick Exterior

- OPTIONS:**
- Standard as cast shop grey
 - Custom colour upon request
 - May be reinforced to suit
 - Maximum length is 10'-0"

Complete unit shown weighs approx. 325 pounds.
Not including possible reinforcement.



326 Hardscratch Road
RR#4 Box 5618
Yarmouth, Nova Scotia
B5A 4A8

Ph: (902)742-7811
Fax: (902)742-7127
www.borcherdtconcrete.com
Email: info@borcherdtconcrete.com

Rev.0 May 2014