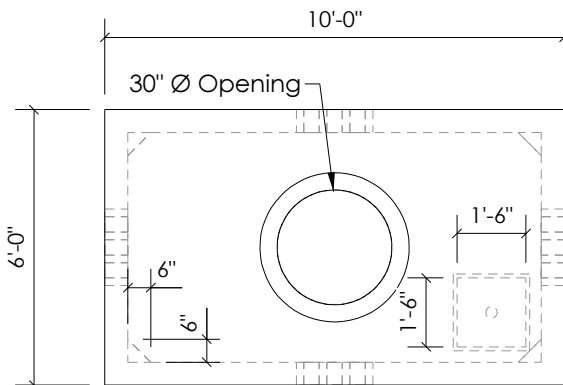


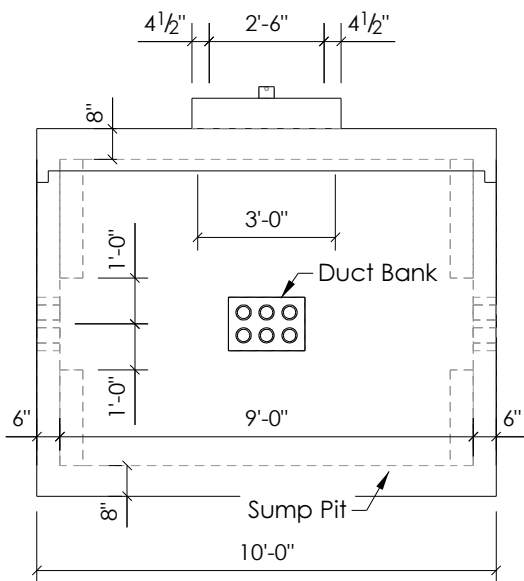
## UTILITY VAULT

5'-0" x 9'-0"

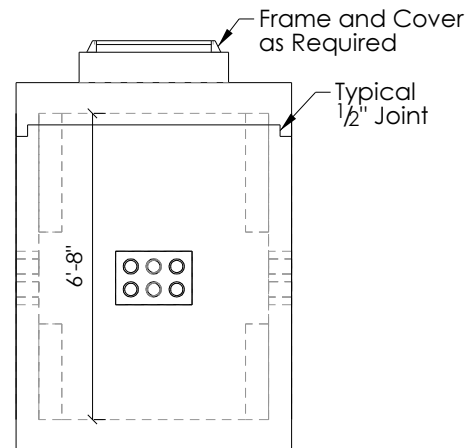


TOP VIEW

- OPTIONS :
- As cast shop grey
  - Alternate joint at access opening available
  - Duct Bank size and location to suit project



SIDE VIEW



END VIEW

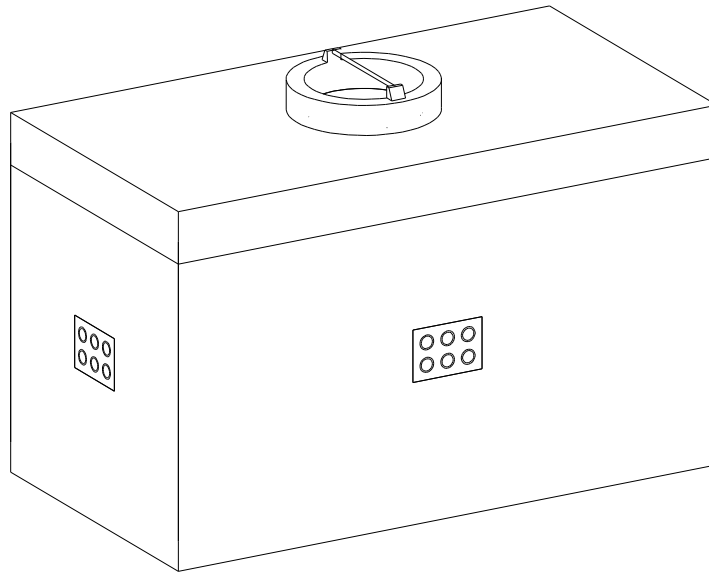
Complete unit shown weighs approx. 26 420 pounds.  
Not including reinforcing.



326 Hardscratch Road  
RR#4 Box 5618  
Yarmouth, Nova Scotia  
B5A 4A8

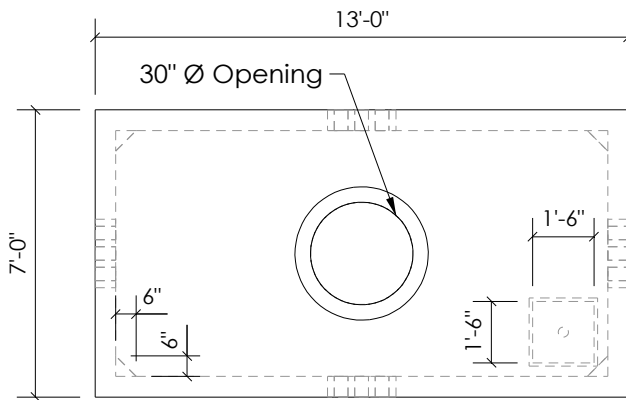
Ph: (902)742-7811  
Fax: (902)742-7127  
www.borcherdtconcrete.com  
Email: info@borcherdtconcrete.com

Rev.0 May 2014



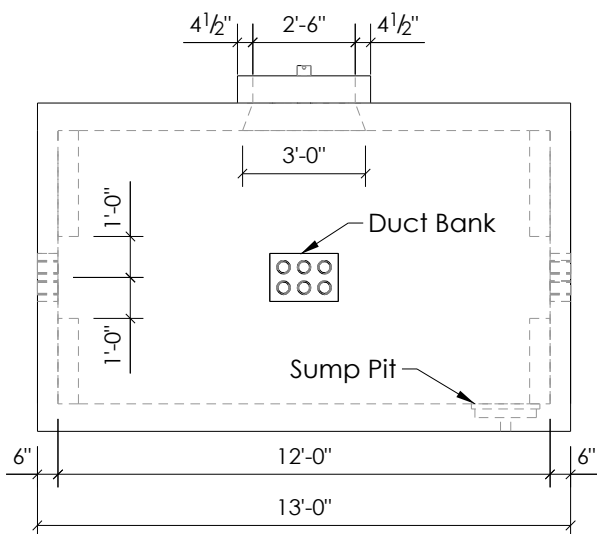
## UTILITY VAULT

6'-0" x 12'-0"

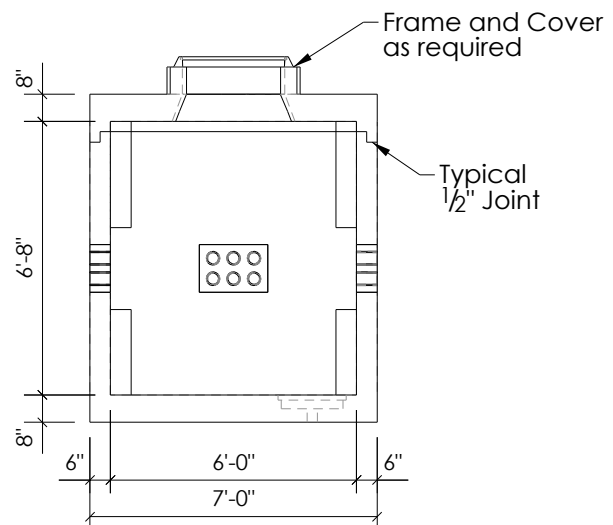


TOP VIEW

- OPTIONS :
- As cast shop grey
  - Alternate joint at access opening available
  - Duct Bank size and location to suit project



SIDE VIEW



END VIEW

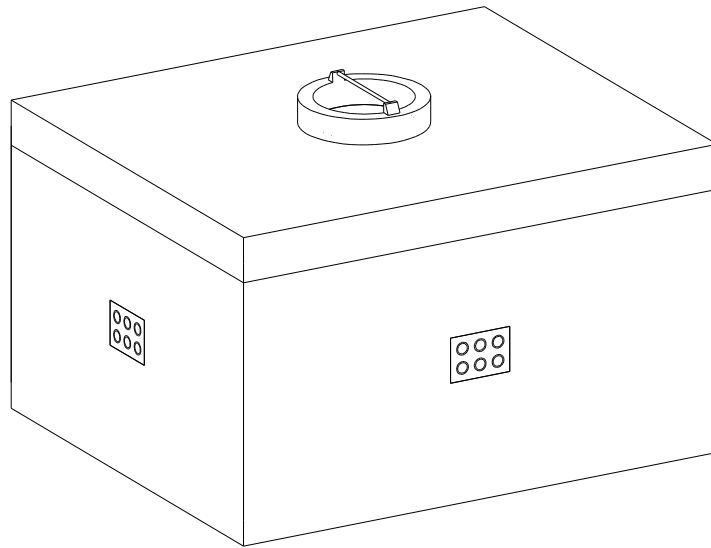
Complete unit shown weighs approx. 36 620 pounds.  
Not including reinforcing.

**BORCHERDT**  
concrete products

326 Hardscratch Road  
RR#4 Box 5618  
Yarmouth, Nova Scotia  
B5A 4A8

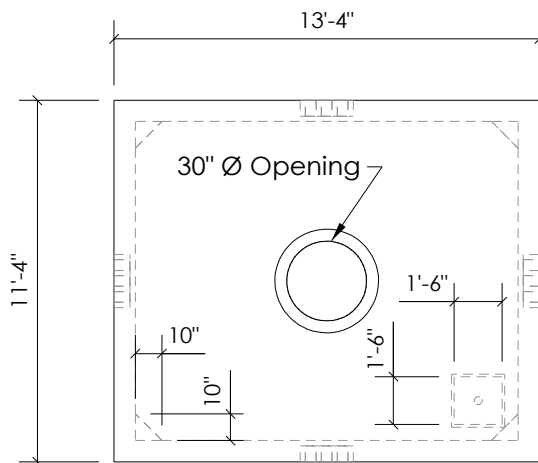
Ph: (902)742-7811  
Fax: (902)742-7127  
www.borcherdtconcrete.com  
Email: info@borcherdtconcrete.com

Rev.0 May 2014



## UTILITY VAULT

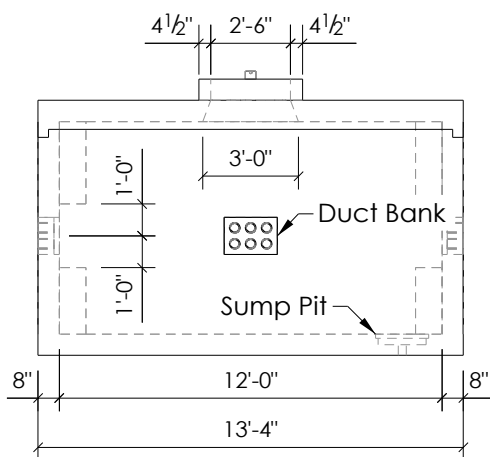
10'-0" x 12'-0"



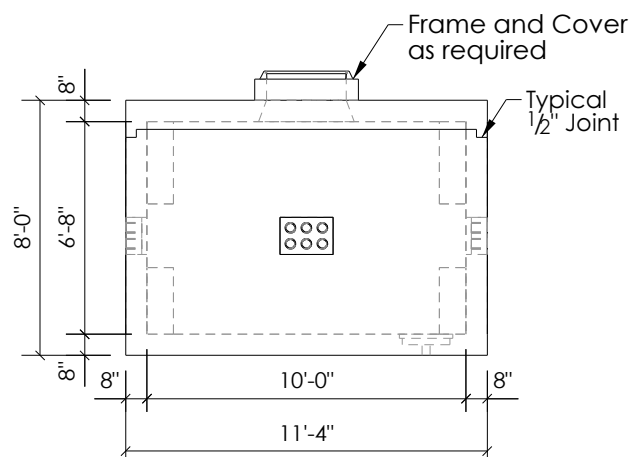
TOP VIEW

### OPTIONS :

- As cast shop grey
- Alternate joint at access opening available
- Duct Bank size and location to suit project



SIDE VIEW



END VIEW

Complete unit shown weighs approx. 61 210 pounds.  
Not including reinforcing.



326 Hardscratch Road  
RR#4 Box 5618  
Yarmouth, Nova Scotia  
B5A 4A8

Ph: (902)742-7811  
Fax: (902)742-7127  
www.borcherdtconcrete.com  
Email: info@borcherdtconcrete.com

Rev.0 May 2014