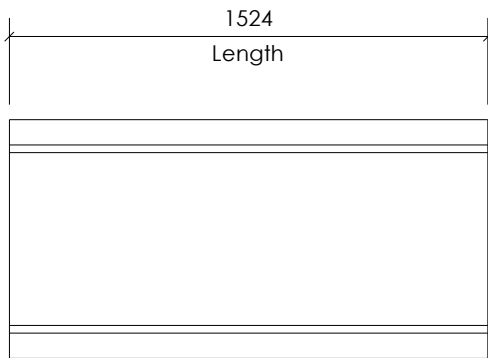


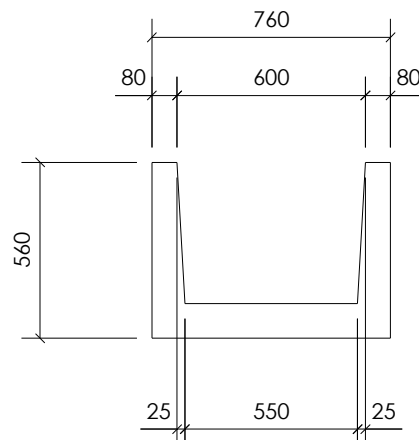
TRENCH
Small

OPTIONS :

- As cast shop grey
- Length varies based on need
- Maximum length is 3m



TOP VIEW



END VIEW

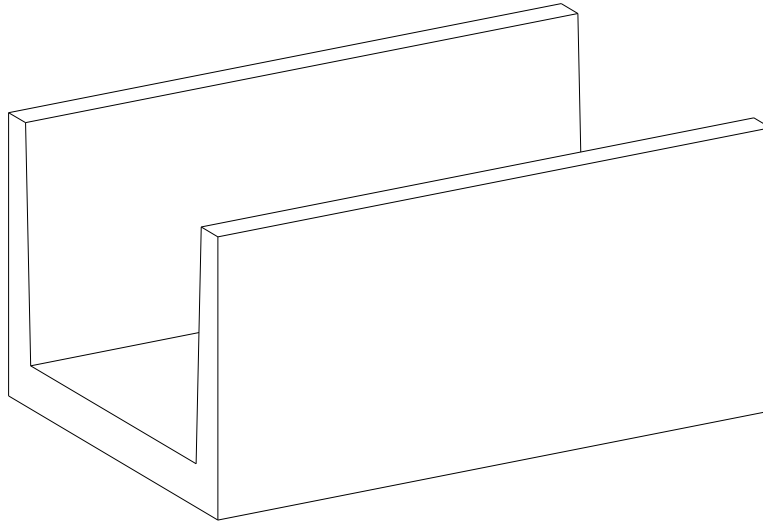
Complete unit shown weighs approx. 1400 pounds.



326 Hardscratch Road
RR#4 Box 5618
Yarmouth, Nova Scotia
B5A 4A8

Ph: (902)742-7811
Fax: (902)742-7127
www.borcherdtconcrete.com
Email: info@borcherdtconcrete.com

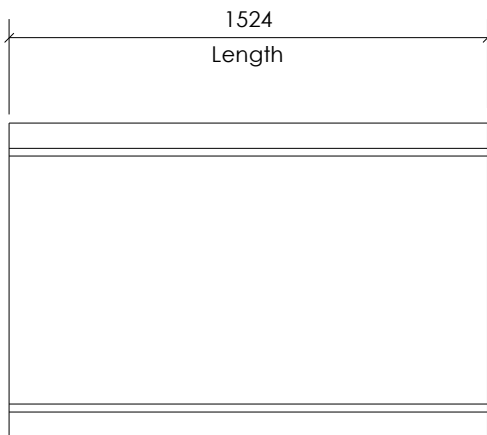
Rev.0 May 2014



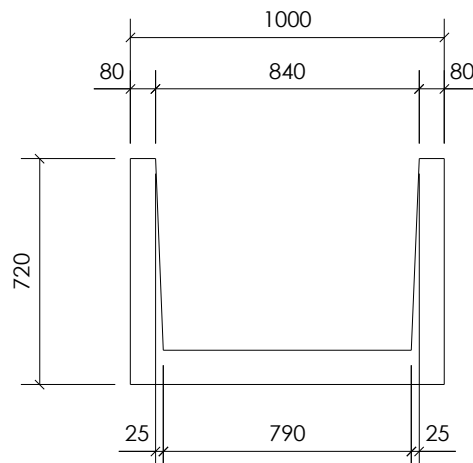
TRENCH
Large

OPTIONS :

- As cast shop grey
- Length varies based on need
- Max length of 4m



TOP VIEW



END VIEW

Complete unit shown weighs approx. 1870 pounds.



326 Hardscratch Road
RR#4 Box 5618
Yarmouth, Nova Scotia
B5A 4A8

Ph: (902)742-7811
Fax: (902)742-7127
www.borcherdtconcrete.com
Email: info@borcherdtconcrete.com