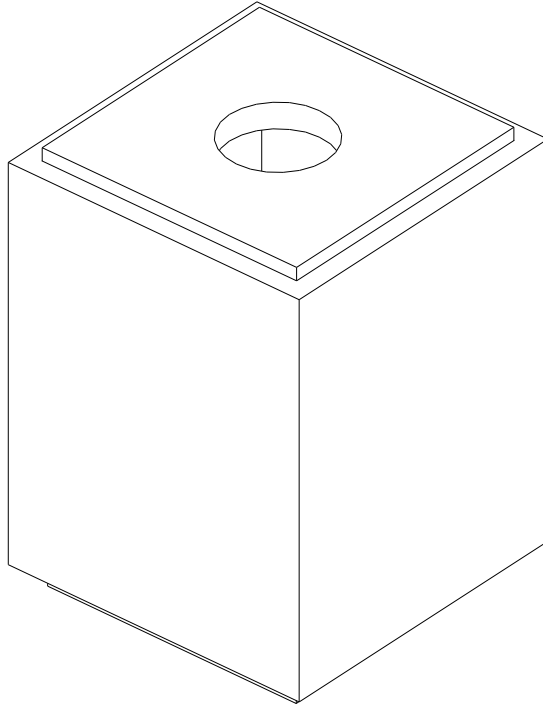


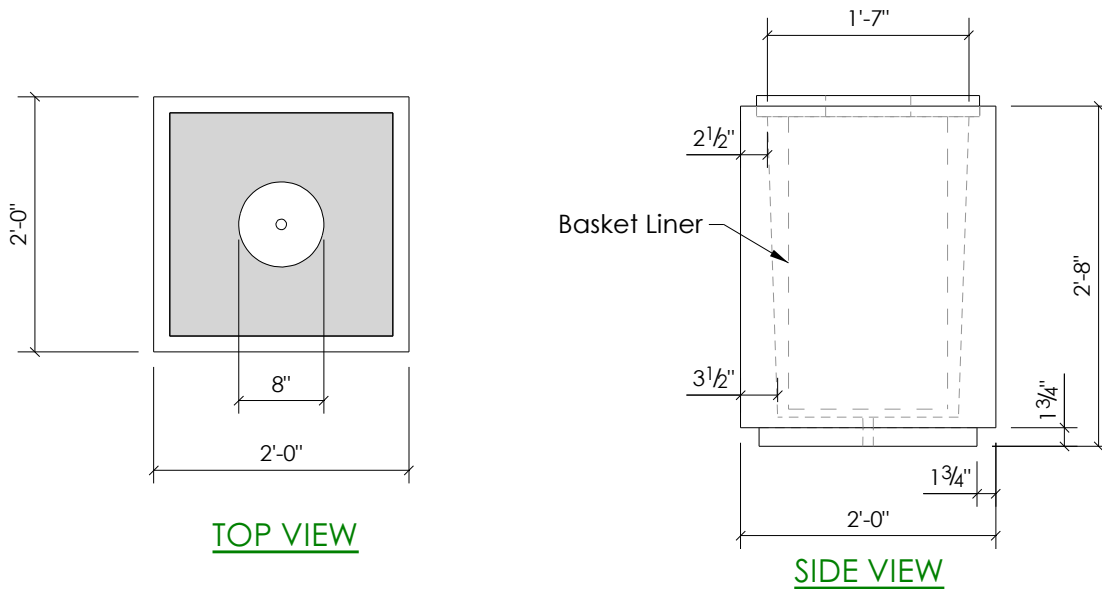
040390TRSQ



## TRASH RECEPTACLE SQUARE

### OPTIONS:

- Available in H3 & M3 finish (see attached colour chart)
- Fiberglass lid available
- Heavy duty basket liner available
- May be bolted down



Complete unit weighs approx. 970 pounds.

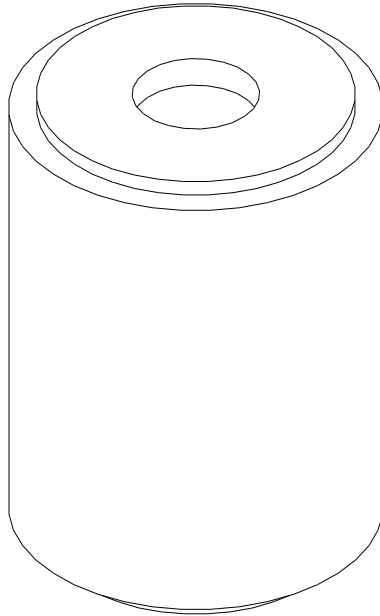
**BORCHERDT**  
concrete products

326 Hardscratch Road  
RR#4 Box 5618  
Yarmouth, Nova Scotia  
B5A 4A8

Ph: (902)742-7811  
Fax: (902)742-7127  
www.borcherdtconcrete.com  
Email: info@borcherdtconcrete.com

Rev 0 May 2014

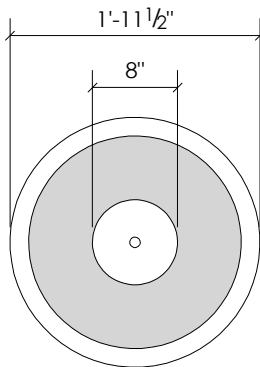
052890TRR



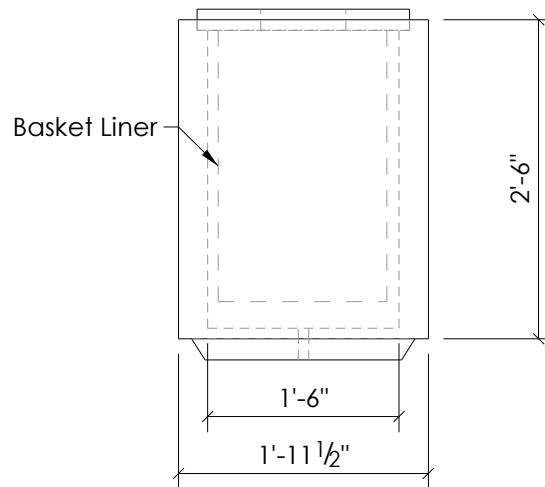
**TRASH RECEPTACLE**  
ROUND

OPTIONS:

- Available in H3 & M3 finish (see attached colour chart)
- Fiberglass lid available
- Plastic dome lid available
- Heavy duty basket liner available
- May be bolted down



TOP VIEW



SIDE VIEW

Complete unit weighs approx. 560 pounds.

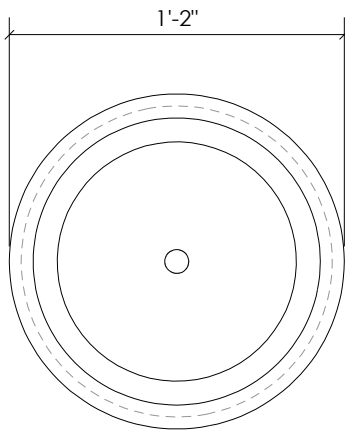


## ASH RECEPTACLE

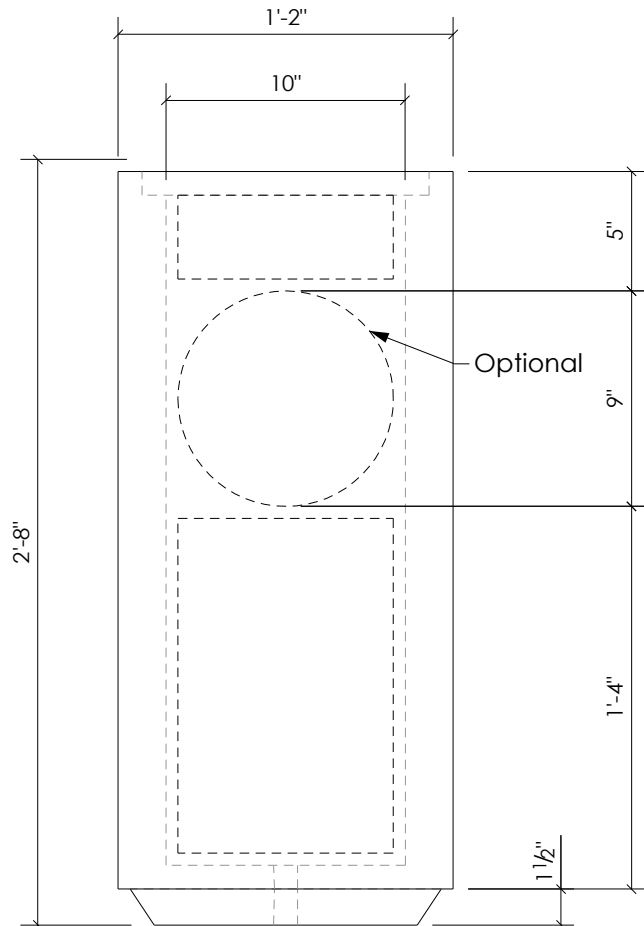
Receptacles Available

**OPTIONS:**

- Available in H3 & M3 finish (see attached colour chart)
- Fiberglass or steel lid available
- Heavy duty basket liner optional with side hole
- May be bolted down



TOP VIEW



SIDE VIEW

Complete unit shown weighs approx. 220 pounds.



326 Hardscratch Road  
 RR#4 Box 5618  
 Yarmouth, Nova Scotia  
 B5A 4A8

Ph: (902)742-7811  
 Fax: (902)742-7127  
[www.borcherdtconcrete.com](http://www.borcherdtconcrete.com)  
 Email: [info@borcherdtconcrete.com](mailto:info@borcherdtconcrete.com)