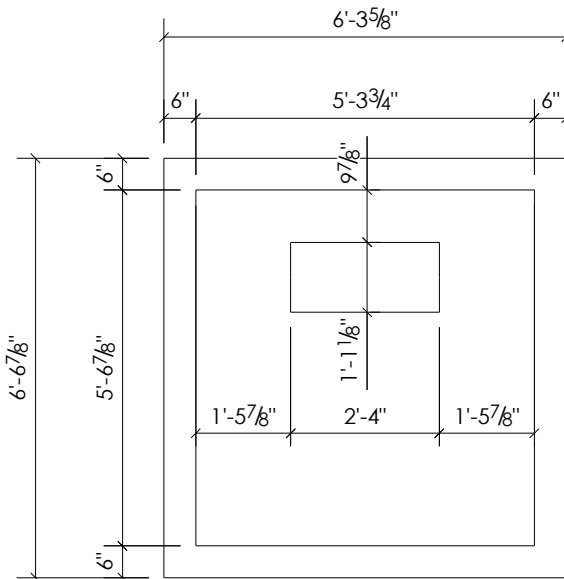
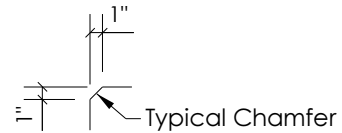


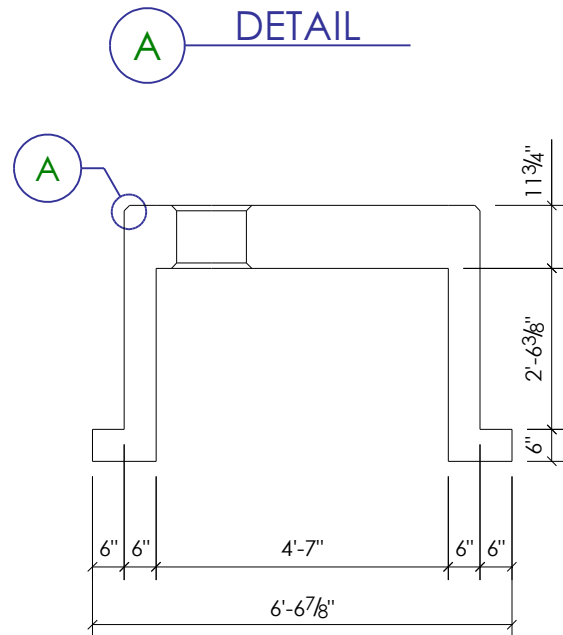
TRANSFORMER PAD

OPTIONS :

- As cast shop grey
- Broom finish
- Reinforced



TOP VIEW



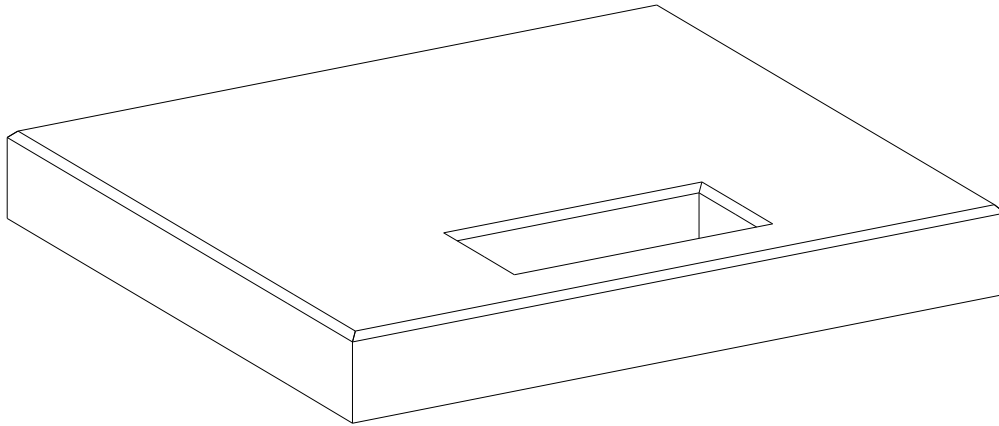
END VIEW

Complete unit shown weighs approx. 9340 pounds.
Not including reinforcing.



326 Hardscratch Road
RR#4 Box 5618
Yarmouth, Nova Scotia
B5A 4A8

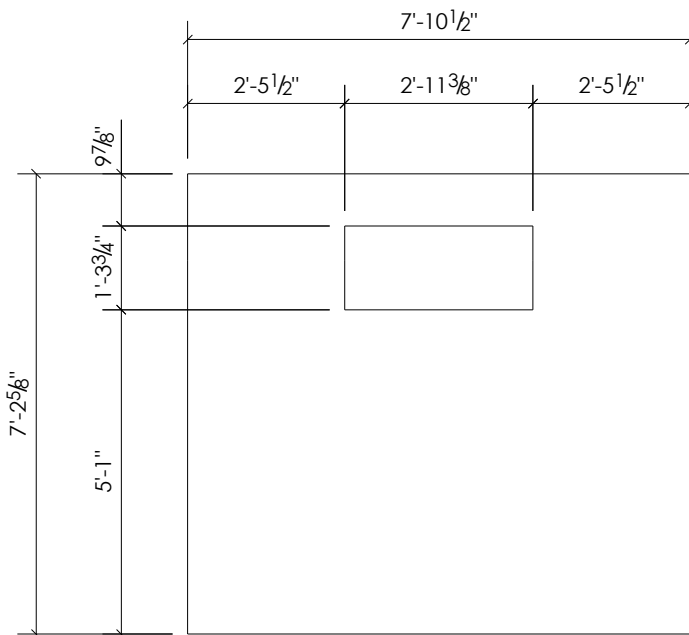
Ph: (902)742-7811
Fax: (902)742-7127
www.borcherdtconcrete.com
Email: info@borcherdtconcrete.com



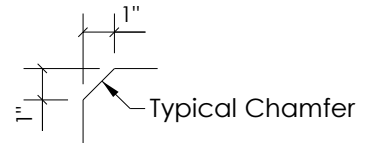
THREE PHASE TRANSFORMER PAD

150kV A - 500kV A

- OPTIONS :
- As cast shop grey
 - Broom finish
 - Reinforced

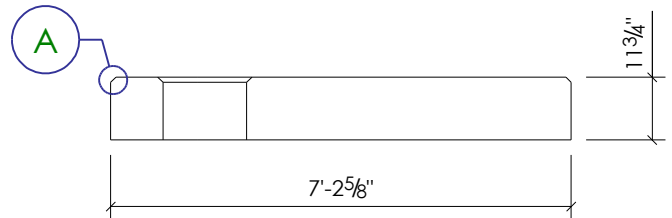


TOP VIEW



Typical Chamfer

(A) DETAIL



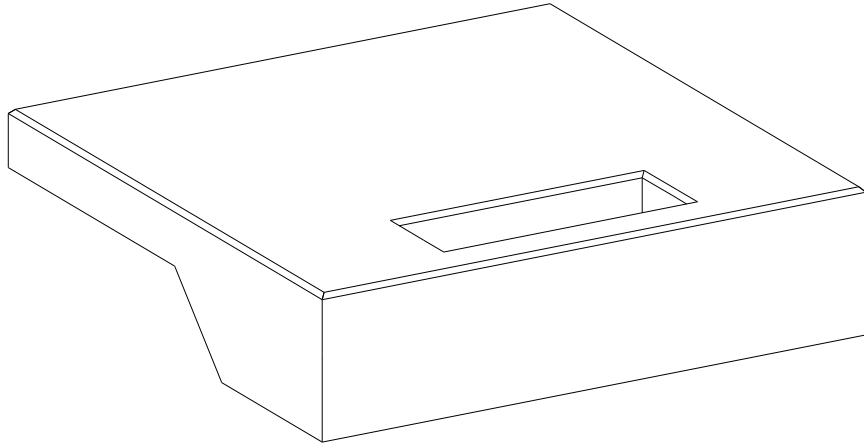
END VIEW

Complete unit shown weighs approx. 7800 pounds.
Not including reinforcing.



326 Hardscratch Road
RR#4 Box 5618
Yarmouth, Nova Scotia
B5A 4A8

Ph: (902)742-7811
Fax: (902)742-7127
www.borcherdtconcrete.com
Email: info@borcherdtconcrete.com

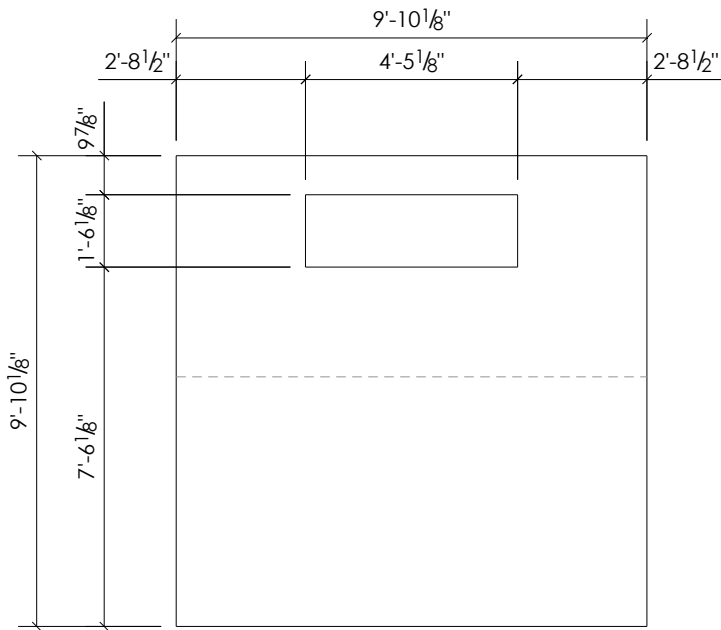


THREE-PHASE PADMOUNT TRANSFORMER

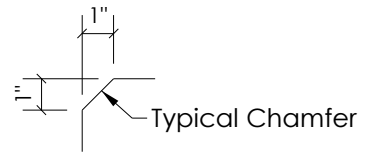
750kV A - 2500kV A

OPTIONS :

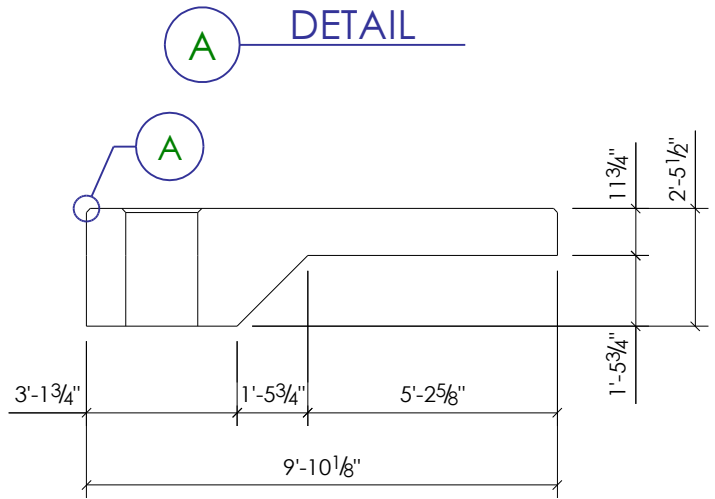
- As cast shop grey
- Broom finish
- Reinforced



TOP VIEW



DETAIL



END VIEW

Complete unit shown weighs approx. 20 285 pounds.
Not including reinforcing.



326 Hardscratch Road
RR#4 Box 5618
Yarmouth, Nova Scotia
B5A 4A8

Ph: (902)742-7811
Fax: (902)742-7127
www.borcherdtconcrete.com
Email: info@borcherdtconcrete.com

Rev 0 May 2014