

PATIO TABLE

OPTIONS:

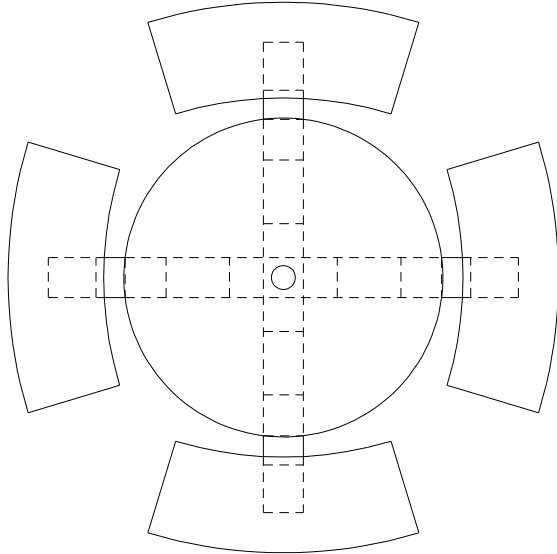
Base Finish:

- Available in H3 & M3 finishes

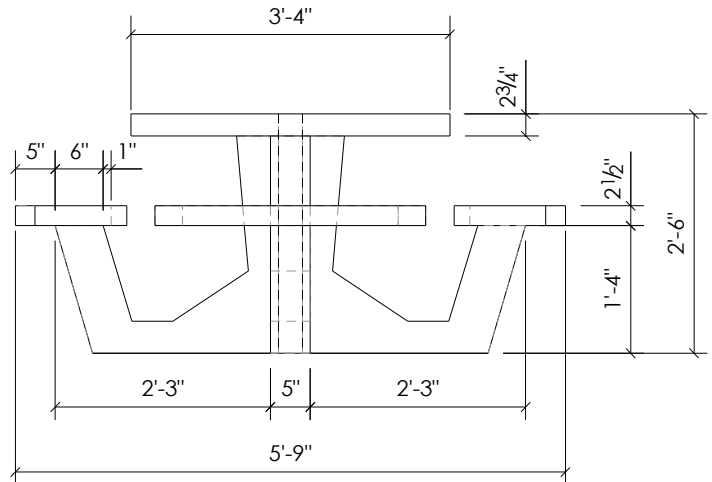
Table Top and Seats :

- Available in H1, H2, M1 & M2 finishes
- Custom colour available upon request
- (See attached colour chart for finishes)

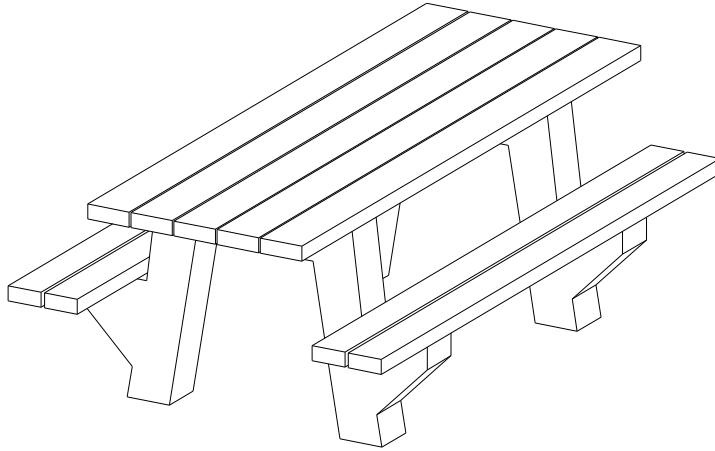
- Umbrella socket
- Recess for game boards



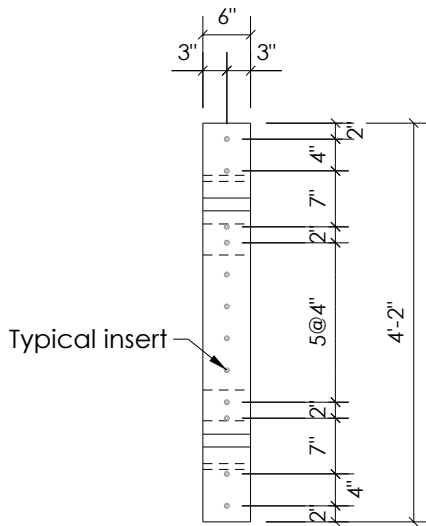
TOP VIEW



Complete unit weighs approx. 1200 pounds.

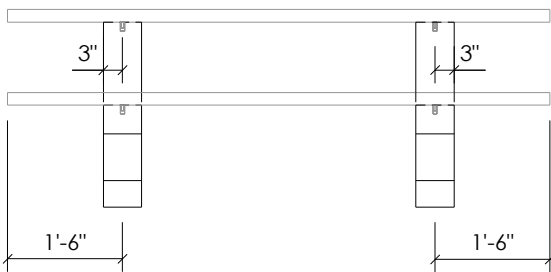


PICNIC TABLE

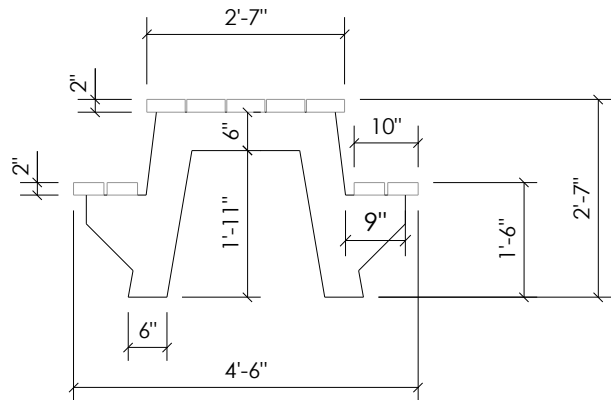


TOP VIEW

- OPTIONS:**
- Available in all finishes (see attached colour chart)
 - Precast components only
 - Wood by others
 - Inserts in bottom for bolt-down
 - Tables longer than 7'-0" will require a third end



FRONT VIEW



Each concrete unit weighs approx. 310 pounds.



326 Hardscratch Road
 RR#4 Box 5618
 Yarmouth, Nova Scotia
 B5A 4A8

Ph: (902)742-7811
 Fax: (902)742-7127
www.borcherdtconcrete.com
 Email: info@borcherdtconcrete.com