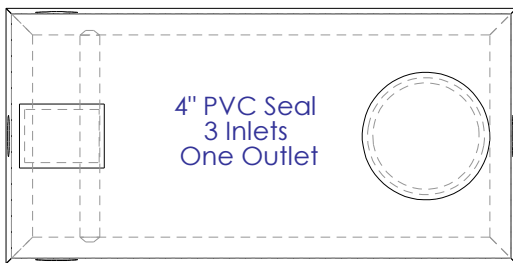
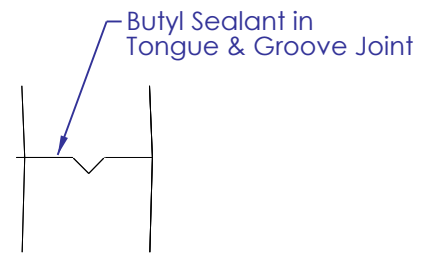


SEPTIC TANK
600 Imperial Gallon

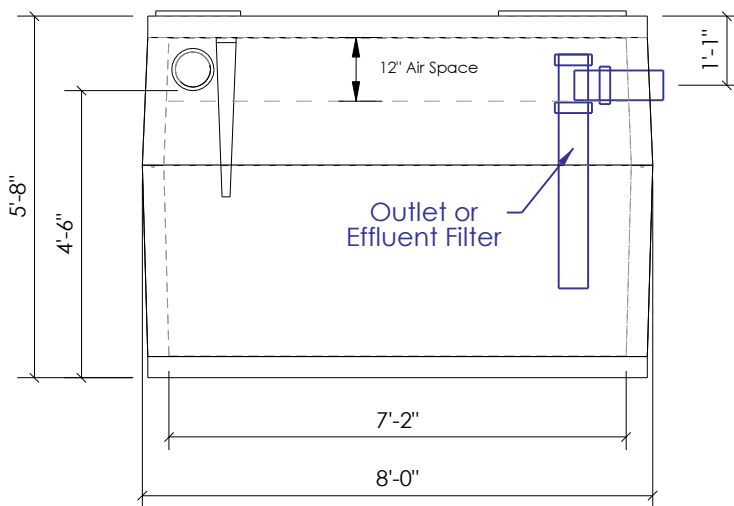


TOP VIEW

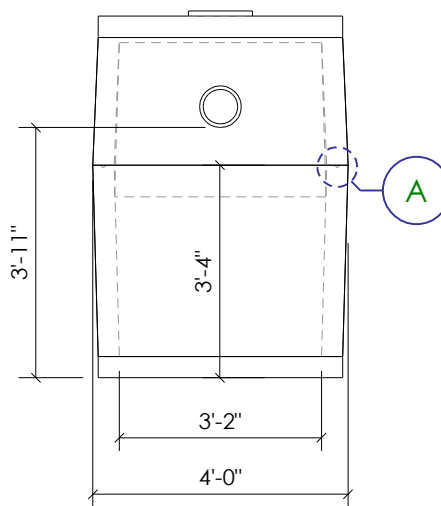
OPTIONS :
• As cast shop grey



A — DETAIL



SIDE VIEW



END VIEW

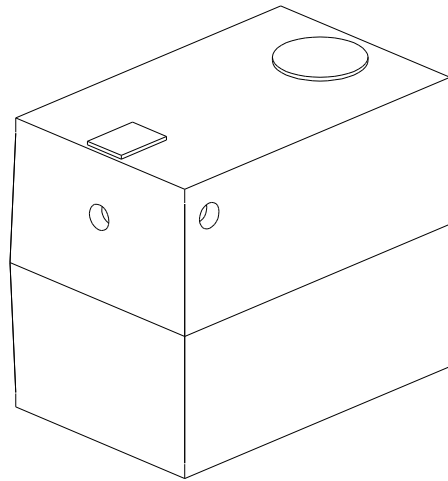
Complete unit shown weighs approx. 8670 pounds.



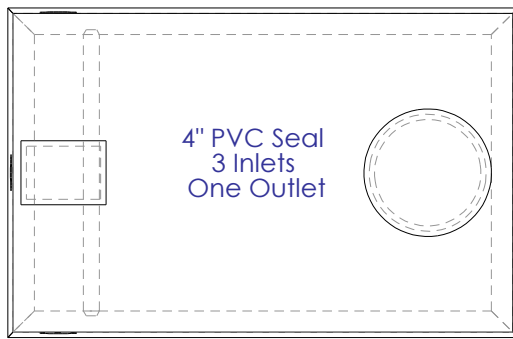
326 Hardscratch Road
RR#4 Box 5618
Yarmouth, Nova Scotia
B5A 4A8

Ph: (902)742-7811
Fax: (902)742-7127
www.borcherdtconcrete.com
Email: info@borcherdtconcrete.com

Rev.0 May 2014



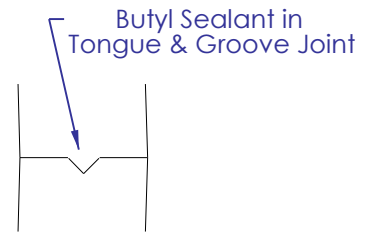
SEPTIC TANK
1000 Imperial Gallon



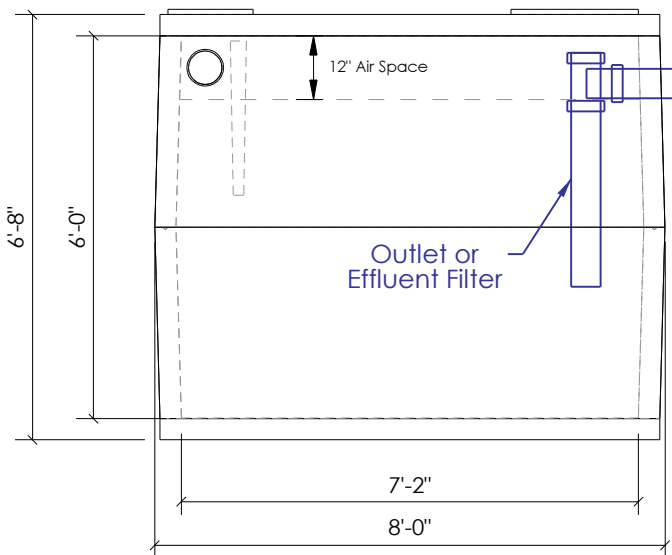
4" PVC Seal
3 Inlets
One Outlet

TOP VIEW

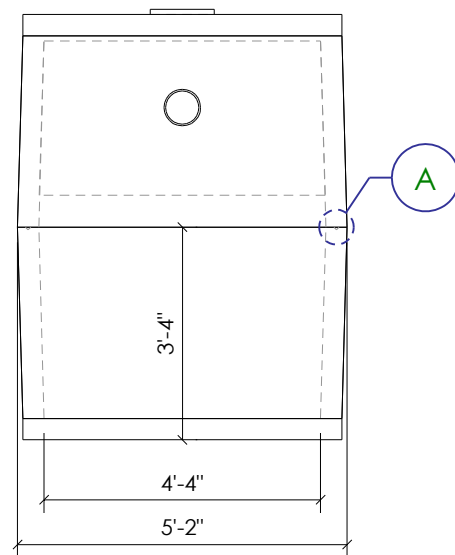
OPTIONS :
· As cast shop grey



A ——— DETAIL



SIDE VIEW



END VIEW

Complete unit shown weighs approx. 11 490 pounds.



326 Hardscratch Road
RR#4 Box 5618
Yarmouth, Nova Scotia
B5A 4A8

Ph: (902)742-7811
Fax: (902)742-7127
www.borcherdtconcrete.com
Email: info@borcherdtconcrete.com

Rev.0 May 2014