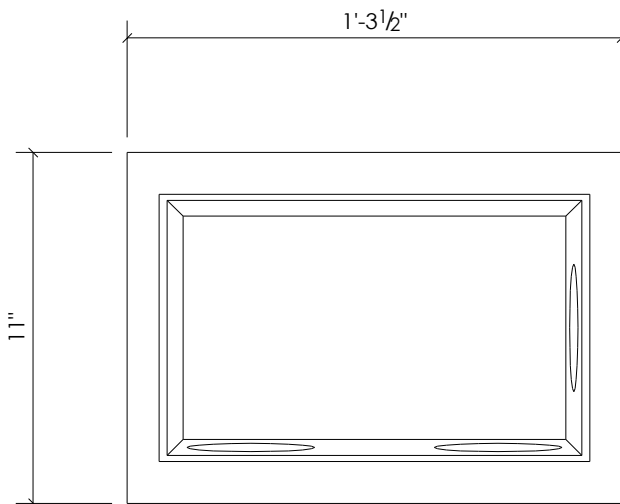


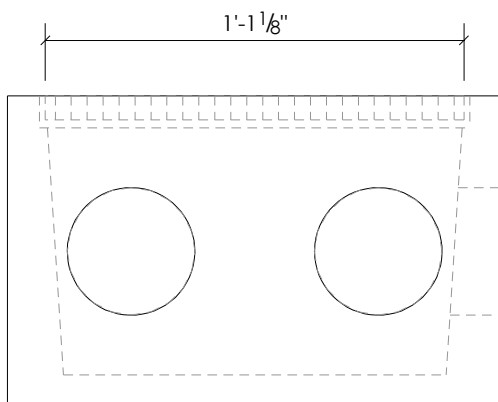
RAIN DRAIN

Complete with Co-Polymer Cover

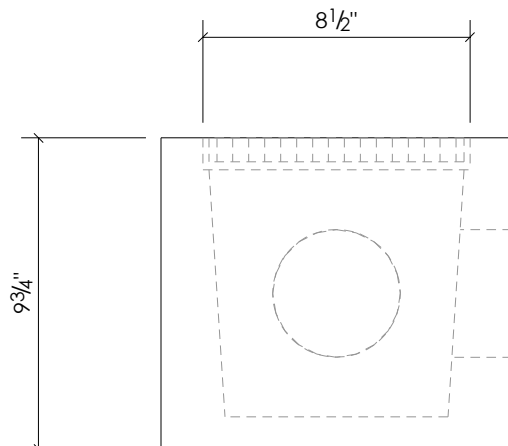


TOP VIEW

OPTIONS:
 • As cast shop grey
 • Caps available for openings



SIDE VIEW



END VIEW

Complete unit shown weighs approx. 65 pounds. (Not including cover.)



326 Hardscratch Road
 RR#4 Box 5618
 Yarmouth, Nova Scotia
 B5A 4A8

Ph: (902)742-7811
 Fax: (902)742-7127
www.borcherdtconcrete.com
 Email: info@borcherdtconcrete.com

Rev 0 May 2014