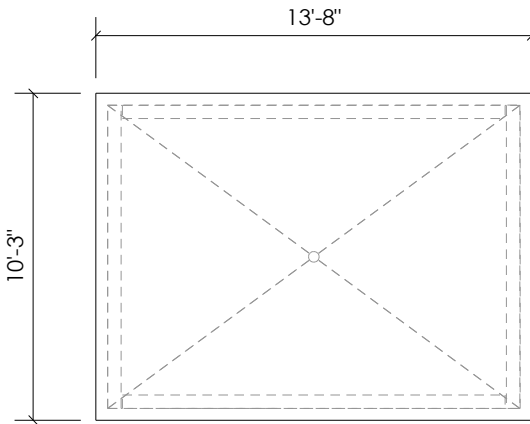
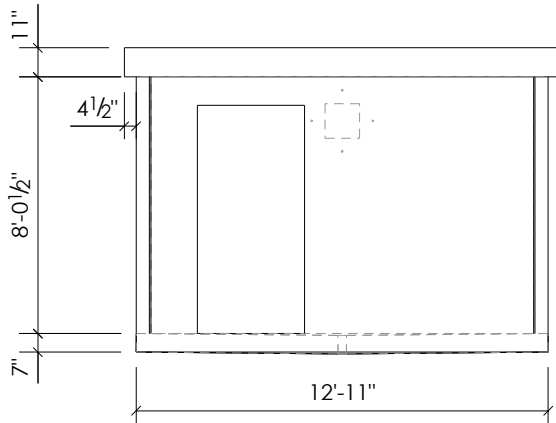


## PUMP HOUSE

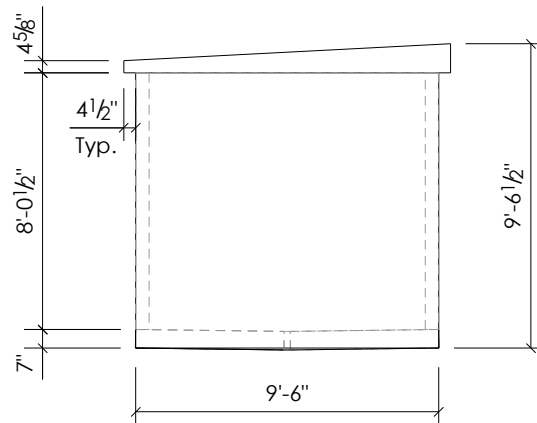


TOP VIEW

- OPTIONS :**
- As cast shop grey
  - Reinforcement
  - Variations in sizes available
  - Sloped floors
  - Custom finish upon request



SIDE VIEW



END VIEW

Complete unit shown weighs approx. 44 445 pounds.  
Not including reinforcing.



326 Hardscratch Road  
RR#4 Box 5618  
Yarmouth, Nova Scotia  
B5A 4A8

Ph: (902)742-7811  
Fax: (902)742-7127  
www.borcherdtconcrete.com  
Email: info@borcherdtconcrete.com