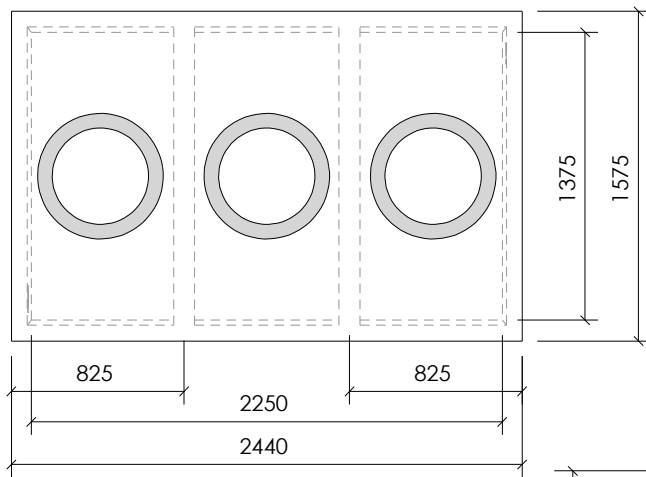
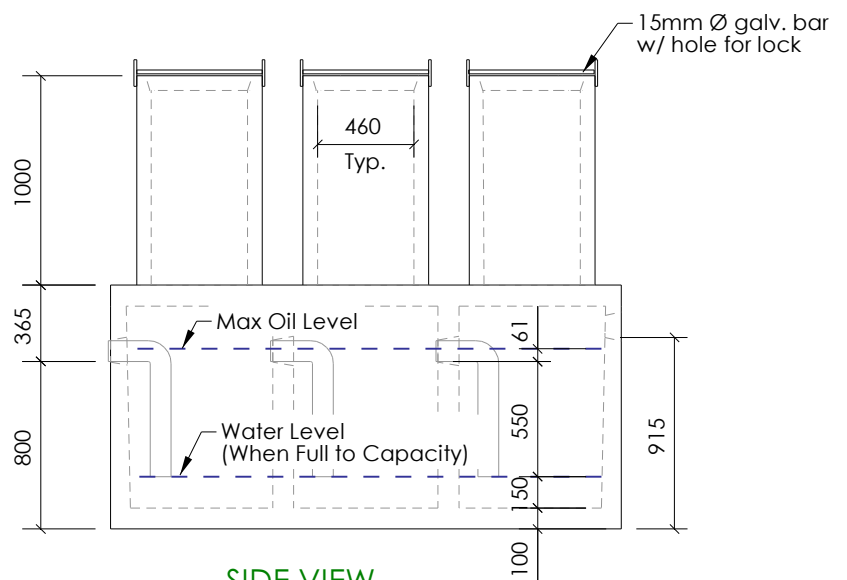


OIL WATER SEPARATOR



TOP VIEW

OPTIONS :
 · As cast shop grey



SIDE VIEW

Complete unit shown weighs approx. 10 990 pounds.



326 Hardscratch Road
 RR#4 Box 5618
 Yarmouth, Nova Scotia
 B5A 4A8

Ph: (902)742-7811
 Fax: (902)742-7127
www.borcherdtconcrete.com
 Email: info@borcherdtconcrete.com