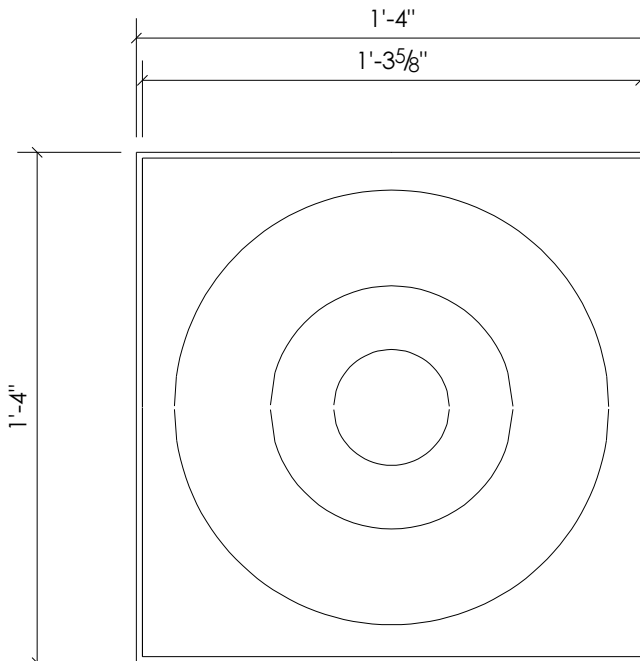


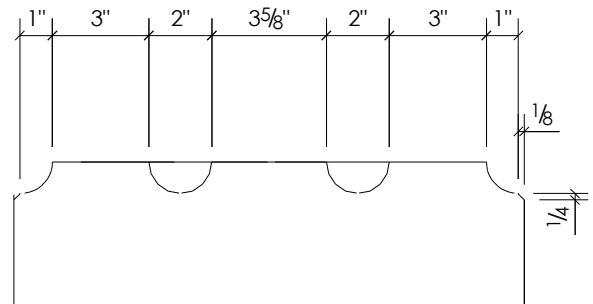
## MEDALLION

### OPTIONS:

- Standard as cast shop grey
- Custom finish & colour upon request



TOP VIEW



SIDE VIEW

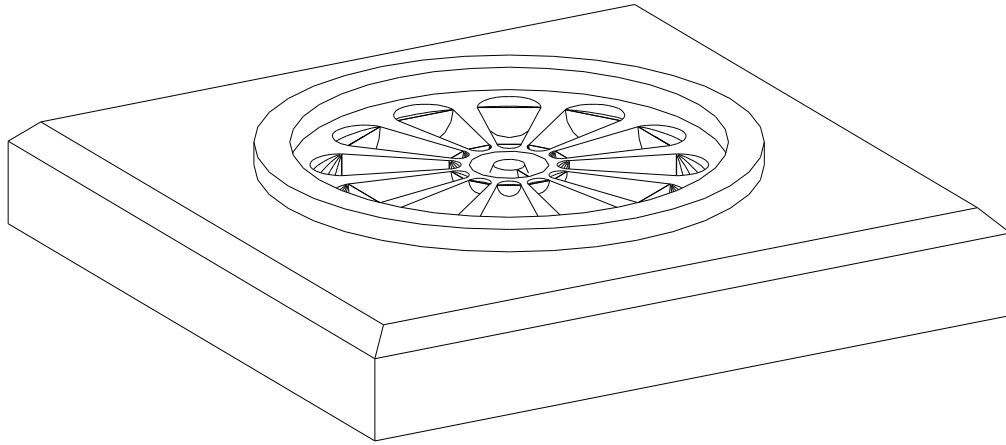
Complete unit shown weighs about 95 pounds.



326 Hardscratch Road  
 RR#4 Box 5618  
 Yarmouth, Nova Scotia  
 B5A 4A8

Ph: (902)742-7811  
 Fax: (902)742-7127  
[www.borcherdtconcrete.com](http://www.borcherdtconcrete.com)  
 Email: [info@borcherdtconcrete.com](mailto:info@borcherdtconcrete.com)

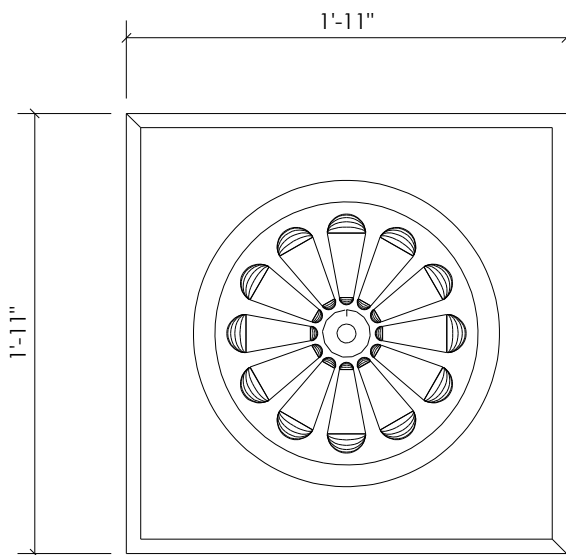
Rev 0 May 2014



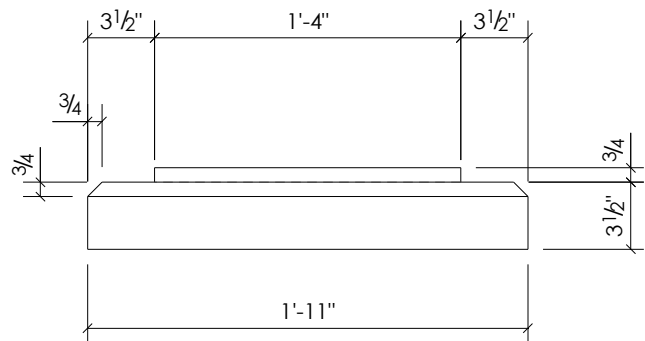
## KEY MEDALLION

### OPTIONS:

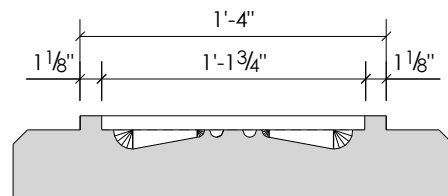
- Standard as cast shop grey
- Custom finish & color upon request



TOP VIEW



SIDE VIEW



SECTION

Complete unit shown weighs approx. 165 pounds.

**BORCHERDT**  
concrete products

326 Hardscratch Road  
RR#4 Box 5618  
Yarmouth, Nova Scotia  
B5A 4A8

Ph: (902)742-7811  
Fax: (902)742-7127  
www.borcherdtconcrete.com  
Email: info@borcherdtconcrete.com

Rev 0 May 2014