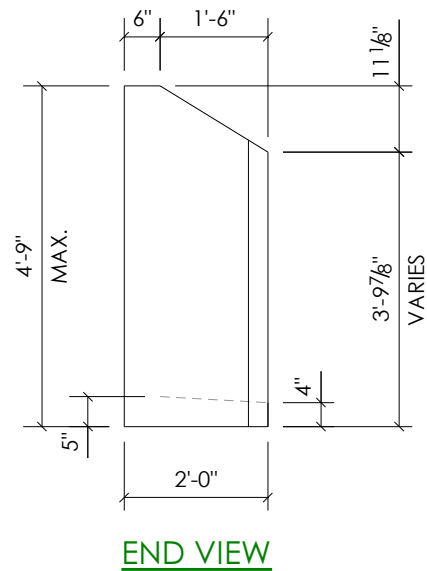
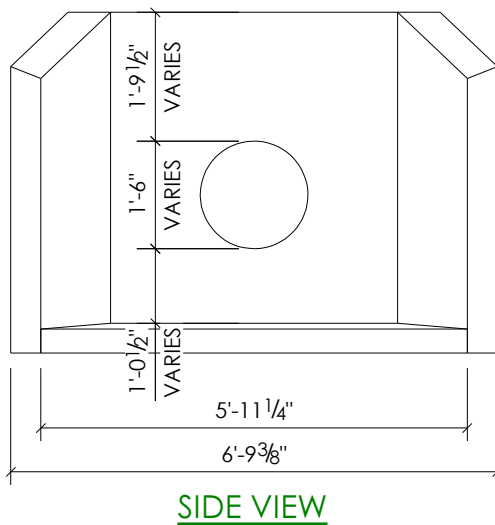


HEADWALL

OPTIONS :

- As cast shop grey
- Heights vary based on culvert size



Complete unit shown weighs approx. 3175 pounds.
Not including reinforcement.