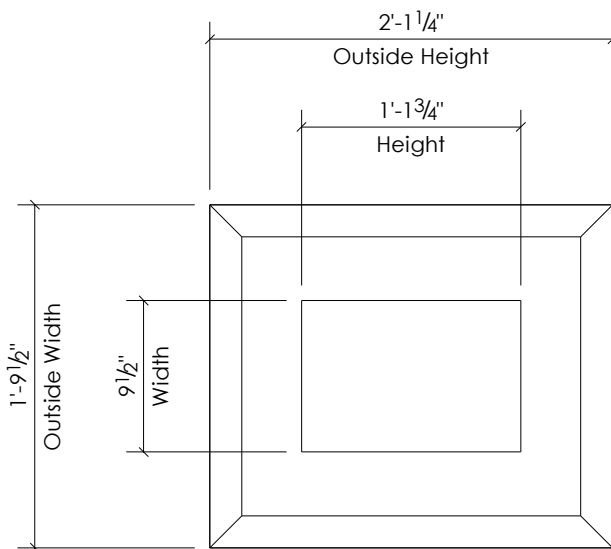


FLUE CAP

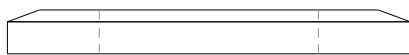


TOP VIEW

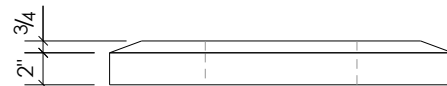
OPTIONS:
 · As cast shop grey

AVAILABLE SIZES

outside height	outside width	height	width	weight
25 1/4"	21 1/2"	13 3/4"	9 1/2"	95 lbs
25 1/4"	25 1/4"	13 3/4"	13 3/4"	100 lbs
21"	21"	9 1/2"	9 1/2"	80 lbs



SIDE VIEW



END VIEW

Weights are as noted in table.



326 Hardscratch Road
 RR#4 Box 5618
 Yarmouth, Nova Scotia
 B5A 4A8

Ph: (902)742-7811
 Fax: (902)742-7127
 www.borcherdtconcrete.com
 Email: info@borcherdtconcrete.com

Rev.0 May 2014