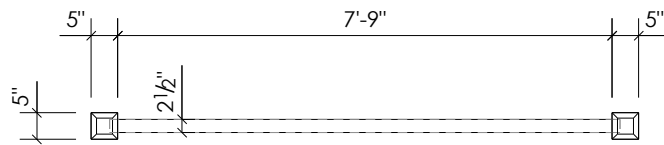
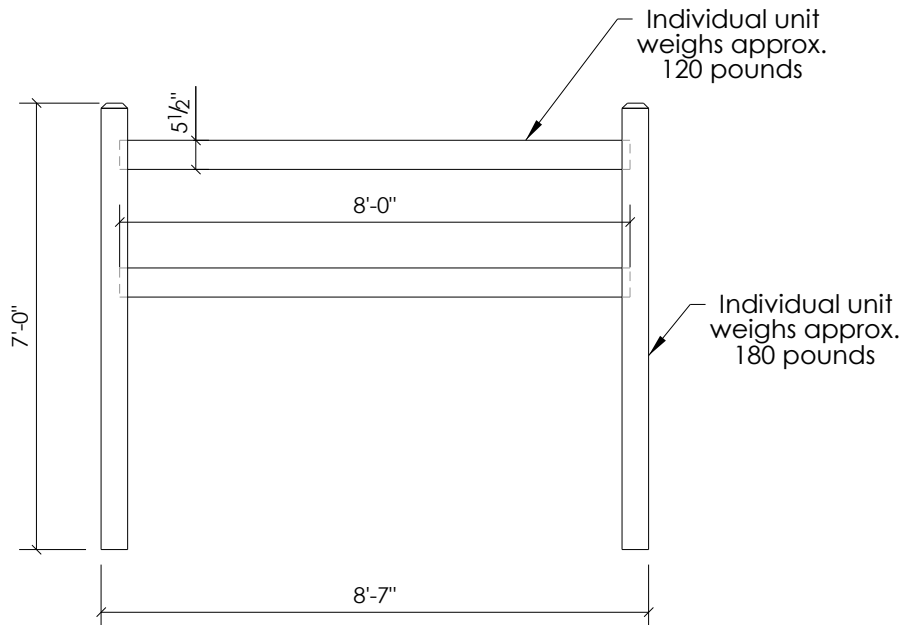


TIMBERCRETE
Textured Post and Rail System

- OPTIONS:**
- As cast shop grey
 - Custom colour upon request



TOP VIEW



FRONT VIEW

Complete unit shown weighs approx. 600 pounds.



326 Hardscratch Road
RR#4 Box 5618
Yarmouth, Nova Scotia
B5A 4A8

Ph: (902)742-7811
Fax: (902)742-7127
www.borcherdtconcrete.com
Email: info@borcherdtconcrete.com