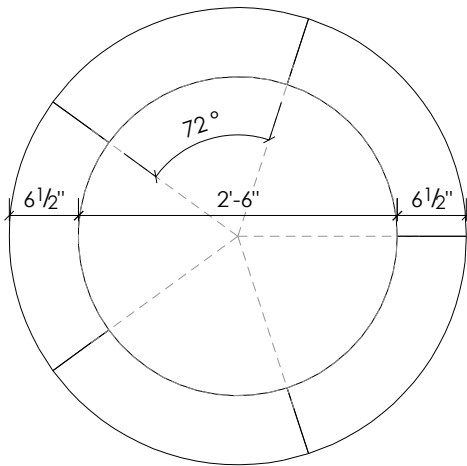


## TREE RING

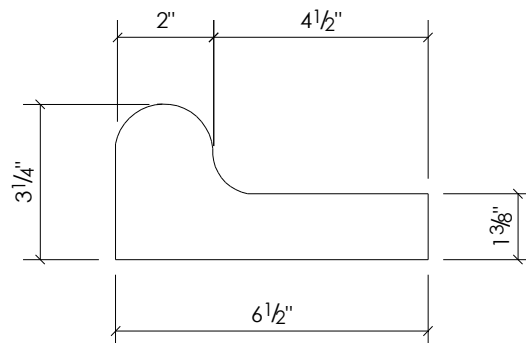
### OPTIONS:

- As cast shop grey
- Custom colour and finish upon request



5 Sections to complete 30" Ø Tree Ring

TOP VIEW



END VIEW

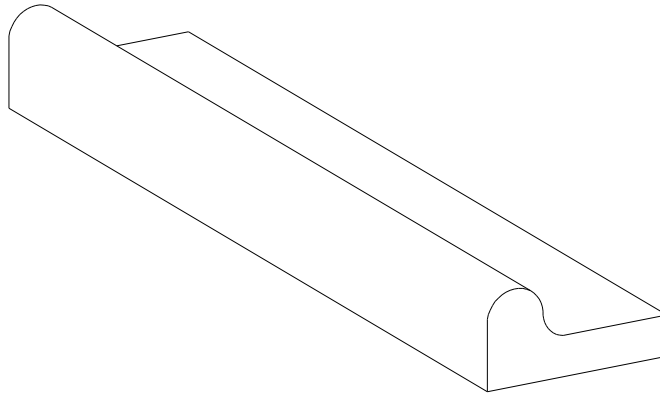
Each unit shown weighs approx. 30 pounds.



326 Hardscratch Road  
 RR#4 Box 5618  
 Yarmouth, Nova Scotia  
 B5A 4A8

Ph: (902)742-7811  
 Fax: (902)742-7127  
[www.borcherdtconcrete.com](http://www.borcherdtconcrete.com)  
 Email: [info@borcherdtconcrete.com](mailto:info@borcherdtconcrete.com)

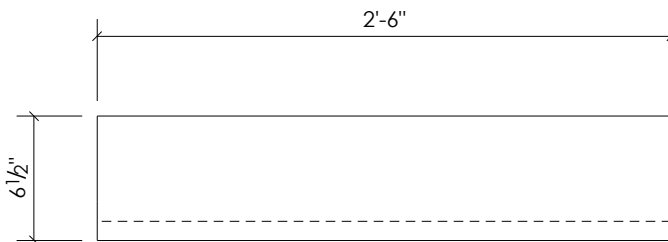
Rev.0 May 2014



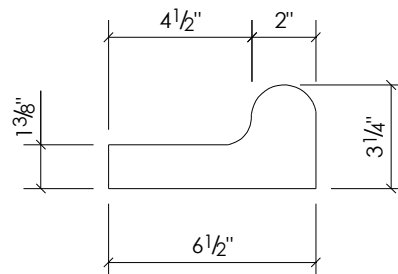
**TREE RING**  
Straight Section

OPTIONS:

- As cast shop grey
- Custom colour and finish upon request

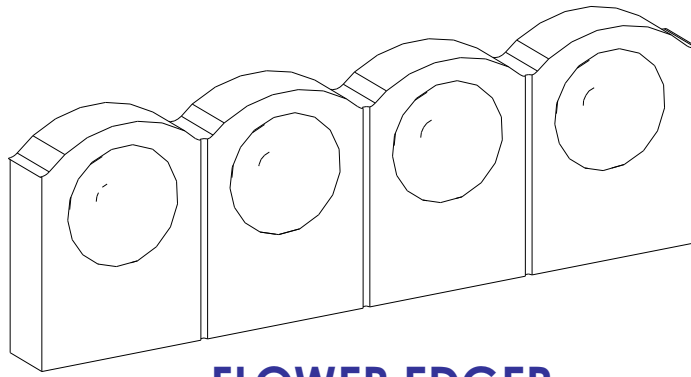


TOP VIEW

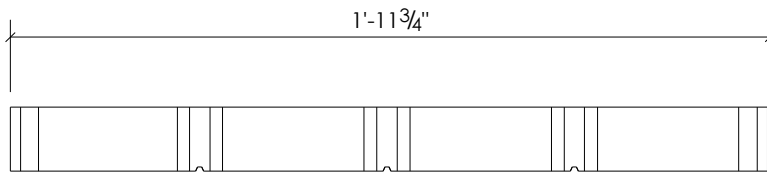


END VIEW

Complete unit shown weighs approx. 45 pounds.



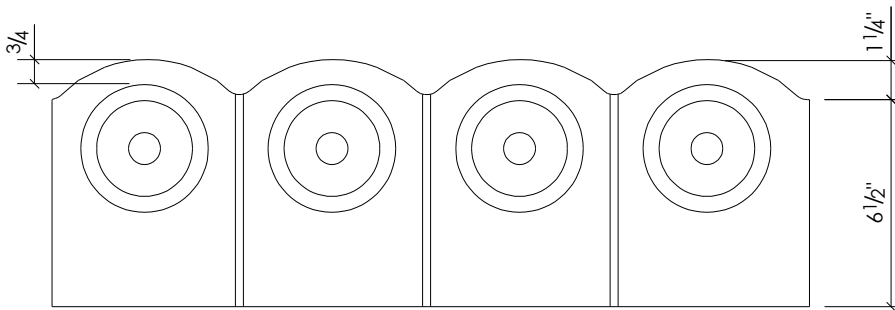
## FLOWER EDGER



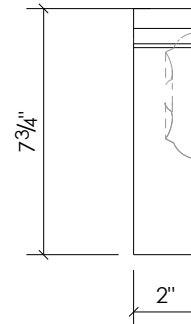
TOP VIEW

### OPTIONS:

- As cast shop grey
- Custom colour upon request



FRONT VIEW



END VIEW

Complete unit shown weighs approx. 30 pounds.

**BORCHERDT**  
concrete products

326 Hardscratch Road  
RR#4 Box 5618  
Yarmouth, Nova Scotia  
B5A 4A8

Ph: (902)742-7811  
Fax: (902)742-7127  
www.borcherdtconcrete.com  
Email: info@borcherdtconcrete.com

Rev 0 May 2014