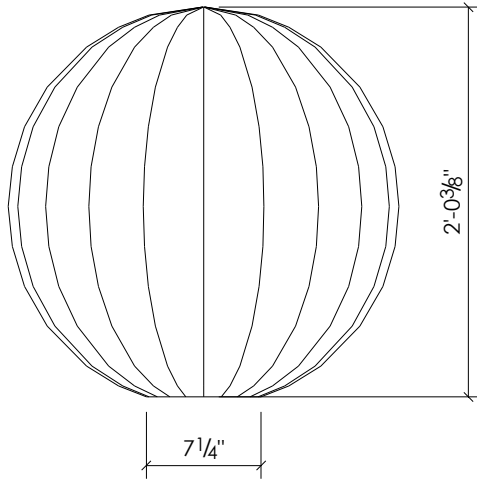
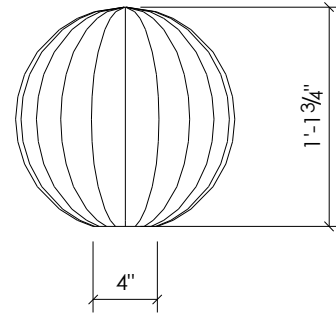


SHOWING PRECAST BALL SIZES



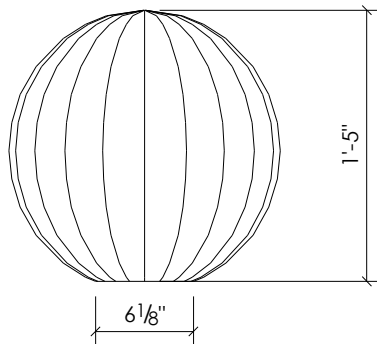
Weighs approx. 690 pounds.

FRONT VIEW
Showing 24" Ø Ball



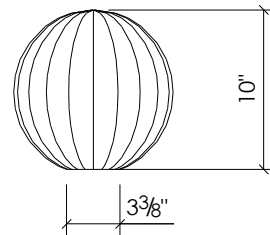
Weighs approx. 120 pounds.

FRONT VIEW
Showing 14" Ø Ball



Weighs approx. 230 pounds.

FRONT VIEW
Showing 18" Ø Ball



Weighs approx. 50 pounds.

FRONT VIEW
Showing 10" Ø Ball

OPTIONS:

- Light sandblast
- Custom colour upon request

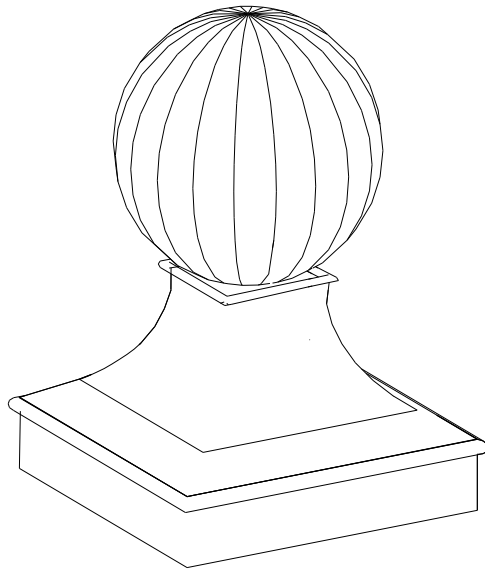
Weights are as noted. No reinforcement included in weights.
* Note: Lines to represent contour only, smooth surface cast. *

BORCHERDT
concrete products

326 Hardscratch Road
RR#4 Box 5618
Yarmouth, Nova Scotia
B5A 4A8

Ph: (902)742-7811
Fax: (902)742-7127
www.borcherdtconcrete.com
Email: info@borcherdtconcrete.com

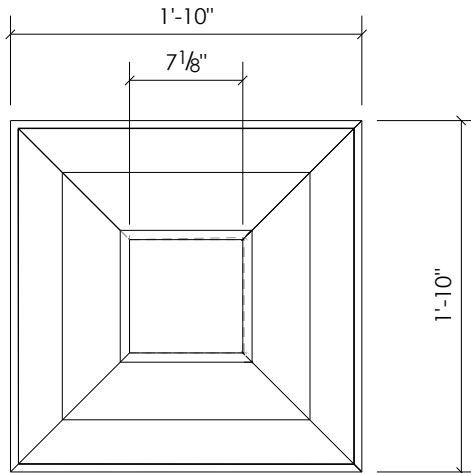
Rev 0 May 2014



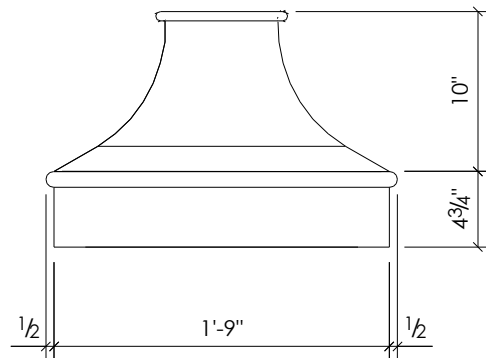
PRECAST CONCRETE BASES w/BALLS

OPTIONS:

- Light sandblast
- Custom colour upon request
- 3D View shown with 18" Ball
- 18" or 24" Balls Available



TOP VIEW



SIDE VIEW

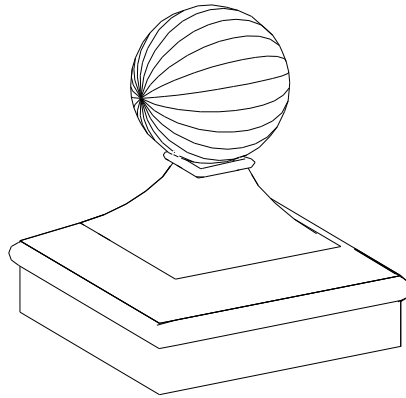
Base unit shown weighs approx. 300 pounds.
 Base complete with ball shown weighs approx. 530 pounds.



326 Hardscratch Road
 RR#4 Box 5618
 Yarmouth, Nova Scotia
 B5A 4A8

Ph: (902)742-7811
 Fax: (902)742-7127
 www.borcherdtconcrete.com
 Email: info@borcherdtconcrete.com

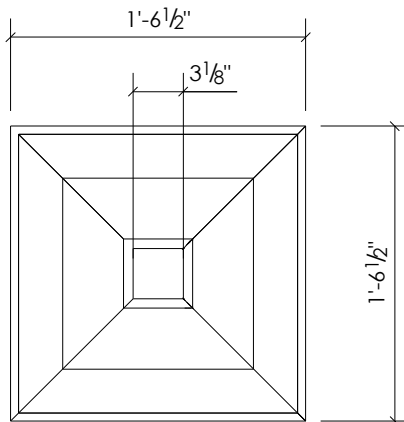
Rev 0 May 2014



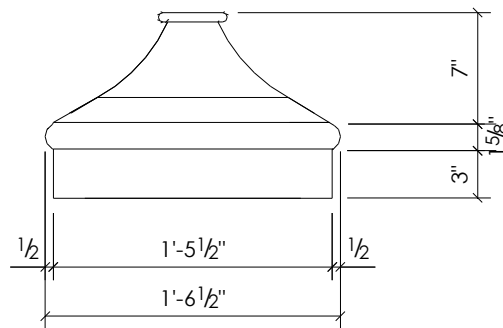
PRECAST CONCRETE BASE w/BALL

OPTIONS:

- Light sandblast
- Custom colour upon request
- 3D View shown with 10" Ball
- 10" or 14" Balls Available



TOP VIEW



SIDE VIEW

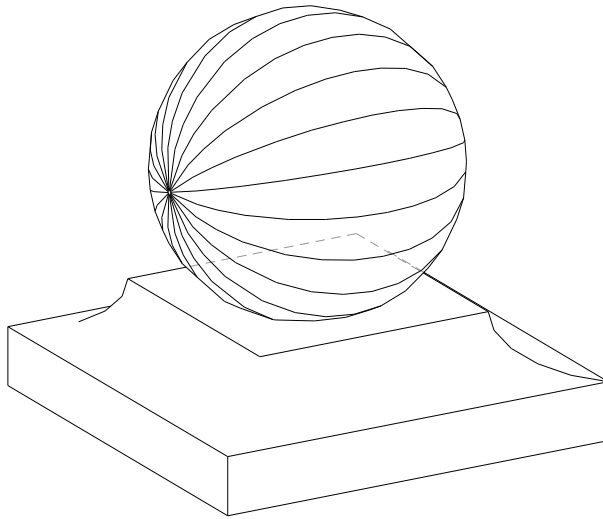
Base unit shown weighs approx. 190 pounds.
 Base complete with ball shown weighs approx. 240 pounds.



326 Hardscratch Road
 RR#4 Box 5618
 Yarmouth, Nova Scotia
 B5A 4A8

Ph: (902)742-7811
 Fax: (902)742-7127
www.borcherdtconcrete.com
 Email: info@borcherdtconcrete.com

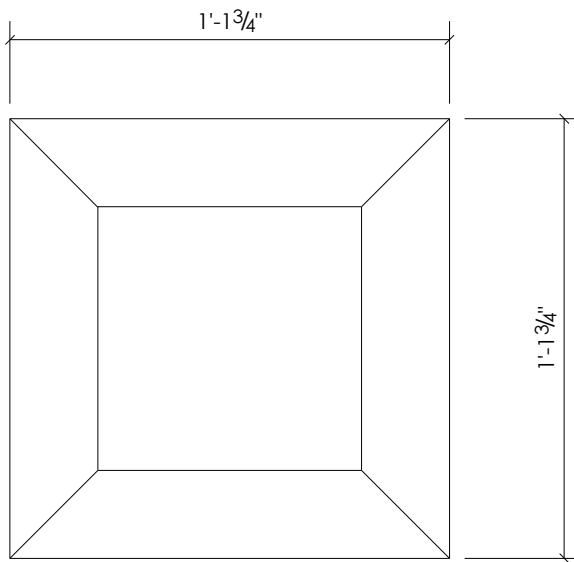
Rev 0 May 2014



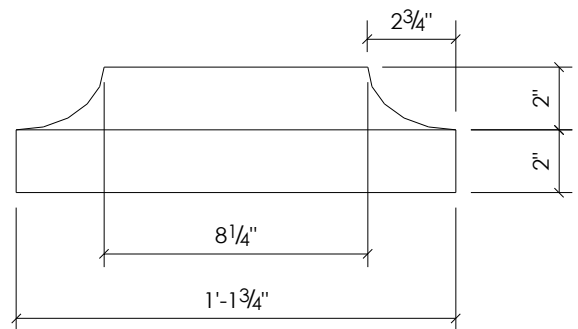
PRECAST CONCRETE BASE w/BALL

OPTIONS:

- Light sandblast
- Custom colour upon request
- 3D View shown with 10" Ball
- 10", 14", 18" or 24" Balls Available



TOP VIEW



SIDE VIEW

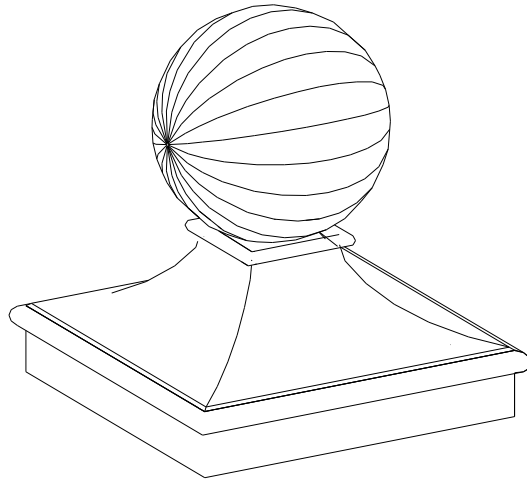
Base unit shown weighs approx. 50 pounds.
Base complete with ball shown weighs approx. 100 pounds.

BORCHERDT
concrete products

326 Hardscratch Road
RR#4 Box 5618
Yarmouth, Nova Scotia
B5A 4A8

Ph: (902)742-7811
Fax: (902)742-7127
www.borcherdtconcrete.com
Email: info@borcherdtconcrete.com

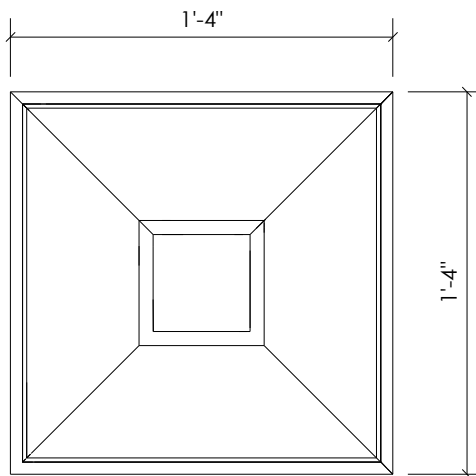
Rev 0 May 2014



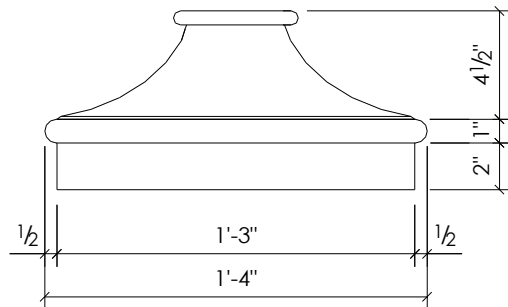
PRECAST CONCRETE BASE w/BALL

OPTIONS:

- Light sandblast
- Custom colour upon request
- 3D View shown with 10" Ball
- 10" or 14" Balls Available



TOP VIEW



SIDE VIEW

Base unit shown weighs approx. 85 pounds.
 Base complete with ball shown weighs approx. 135 pounds.