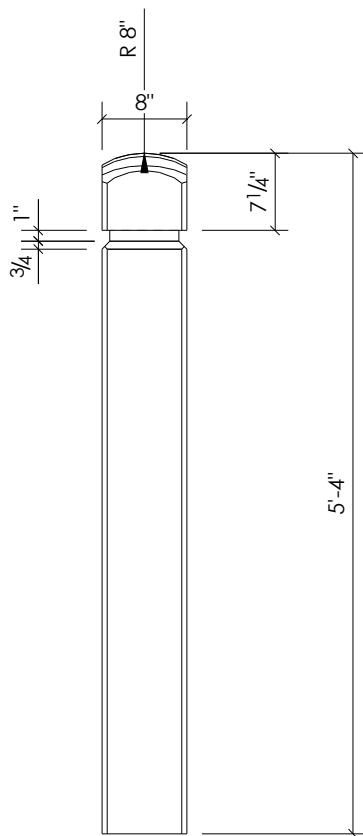
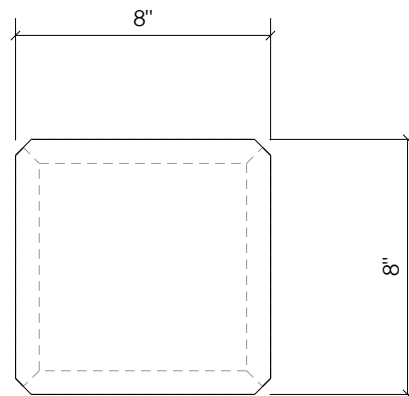


BOLLARD



SIDE VIEW

- OPTIONS:
- Available in H3 & M3 finish (see attached colour chart)
 - Custom colour available upon request



TOP VIEW

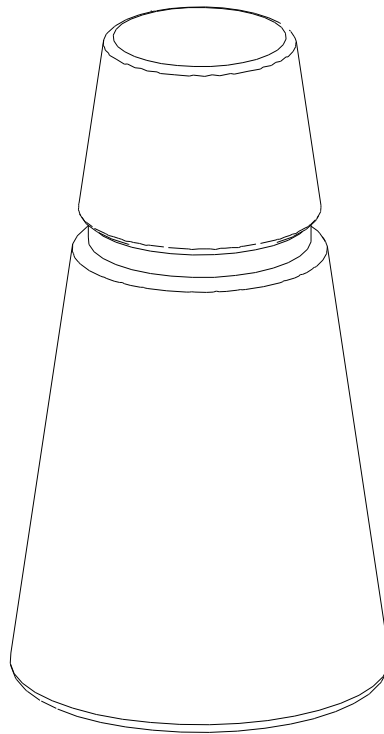
Complete unit shown weighs approx. 360 pounds.



326 Hardscratch Road
RR#4 Box 5618
Yarmouth, Nova Scotia
B5A 4A8

Ph: (902)742-7811
Fax: (902)742-7127
www.borcherdtconcrete.com
Email: info@borcherdtconcrete.com

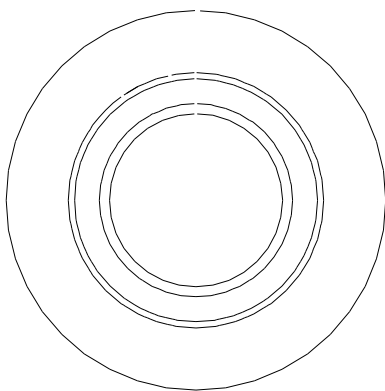
Rev 0 May 2014



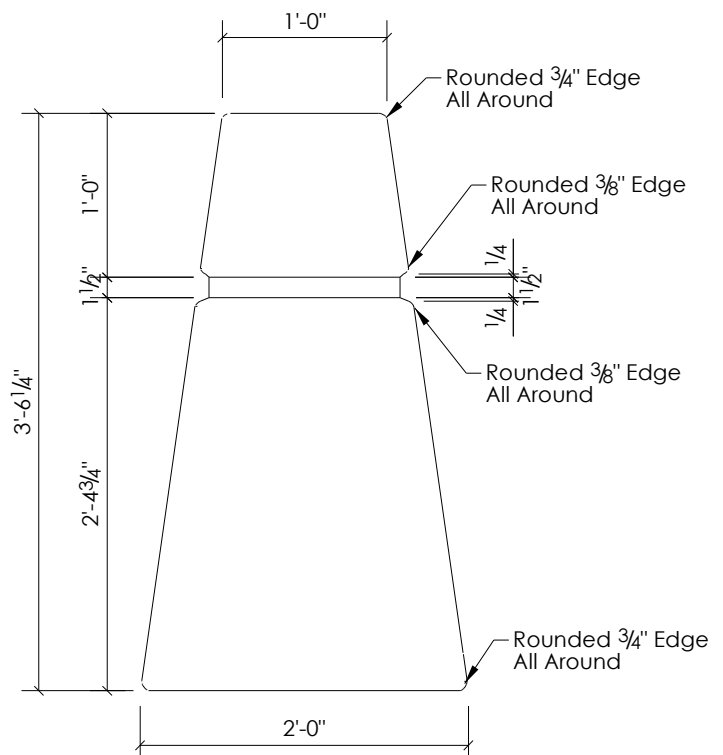
TRAFFIC BOLLARD

OPTIONS:

- Available in H3 & M3 finish (see attached colour chart)
- Custom colour available upon request



TOP VIEW



SIDE VIEW

Complete unit shown weighs approx. 990 pounds.

BORCHERDT
concrete products

326 Hardscratch Road
RR#4 Box 5618
Yarmouth, Nova Scotia
B5A 4A8

Ph: (902)742-7811
Fax: (902)742-7127
www.borcherdtconcrete.com
Email: info@borcherdtconcrete.com

Rev.0 May 2014