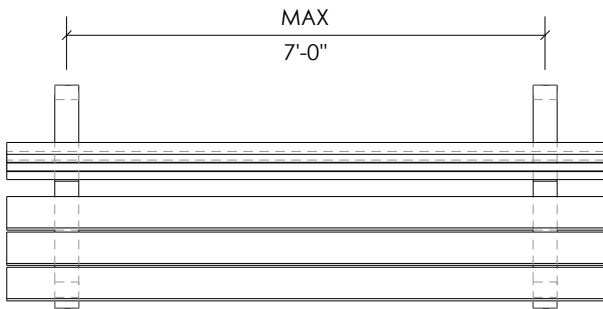


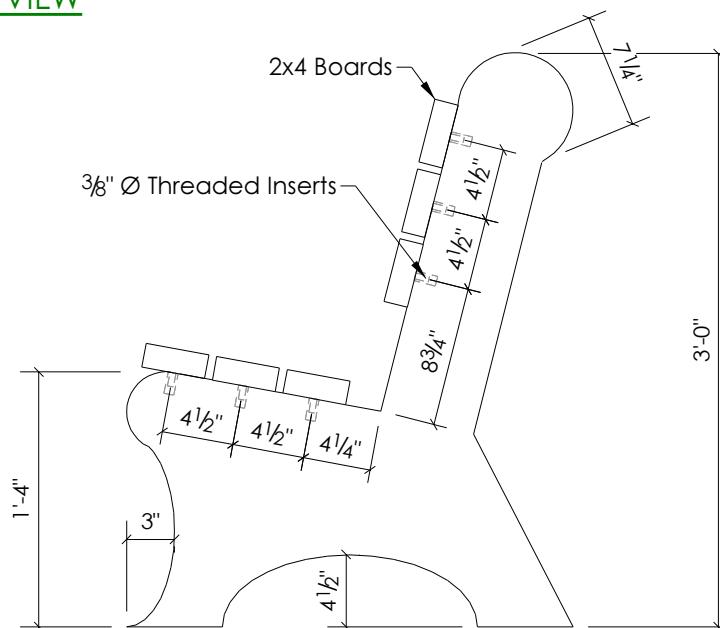
PARK BENCH



TOP VIEW

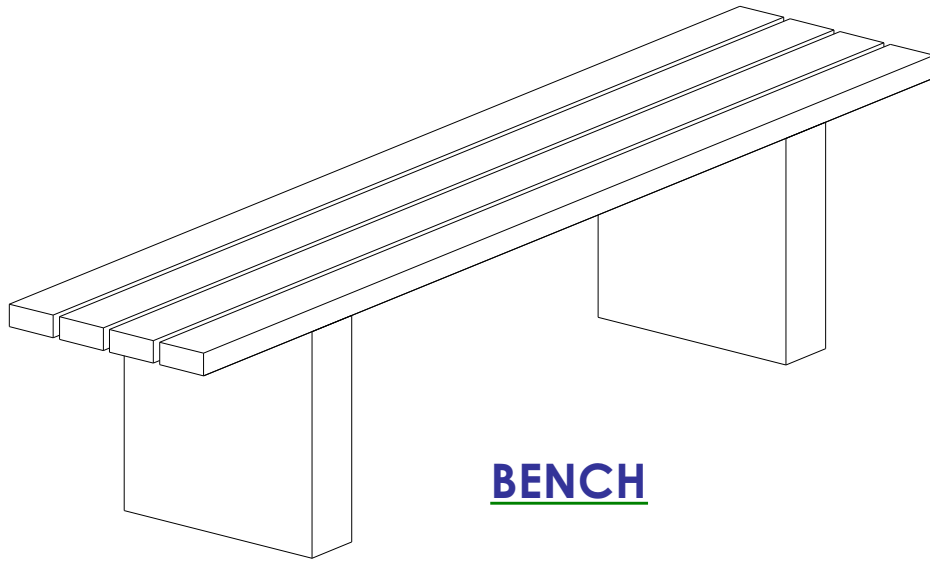
OPTIONS:

- Available in all finishes (see attached colour chart)
- Precast components only
- Wood by others
- Inserts in bottom for boltdown
- Benches longer than 7'-0" will require a third end

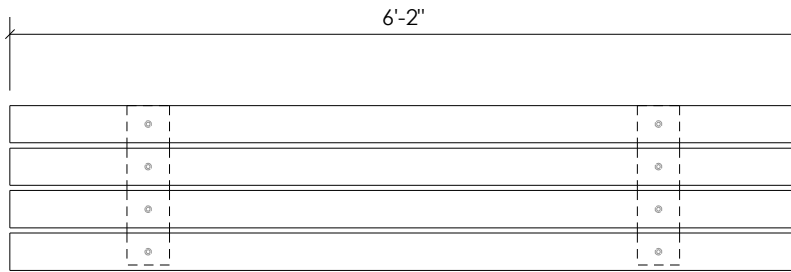


SIDE VIEW

Each concrete piece weighs approx. 110 pounds.

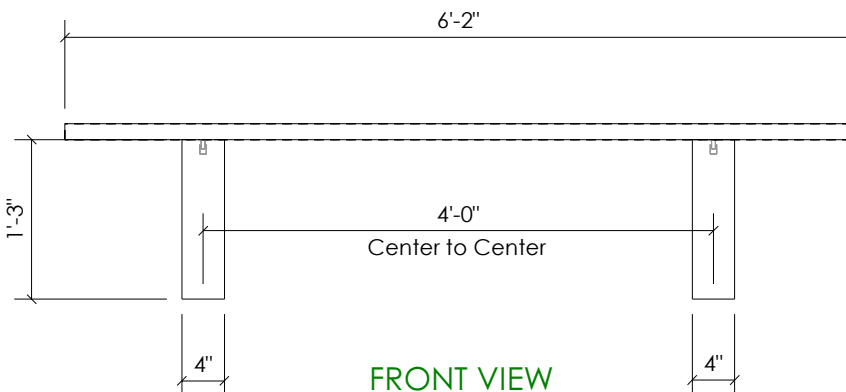


BENCH

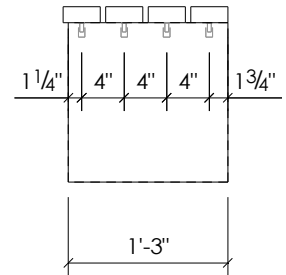


TOP VIEW

- OPTIONS:**
- Available in all finishes (see attached colour chart)
 - Precast components only
 - Wood by others
 - Inserts in bottom for bolt-down
 - Benches longer than 7'-0" will require a third end



FRONT VIEW



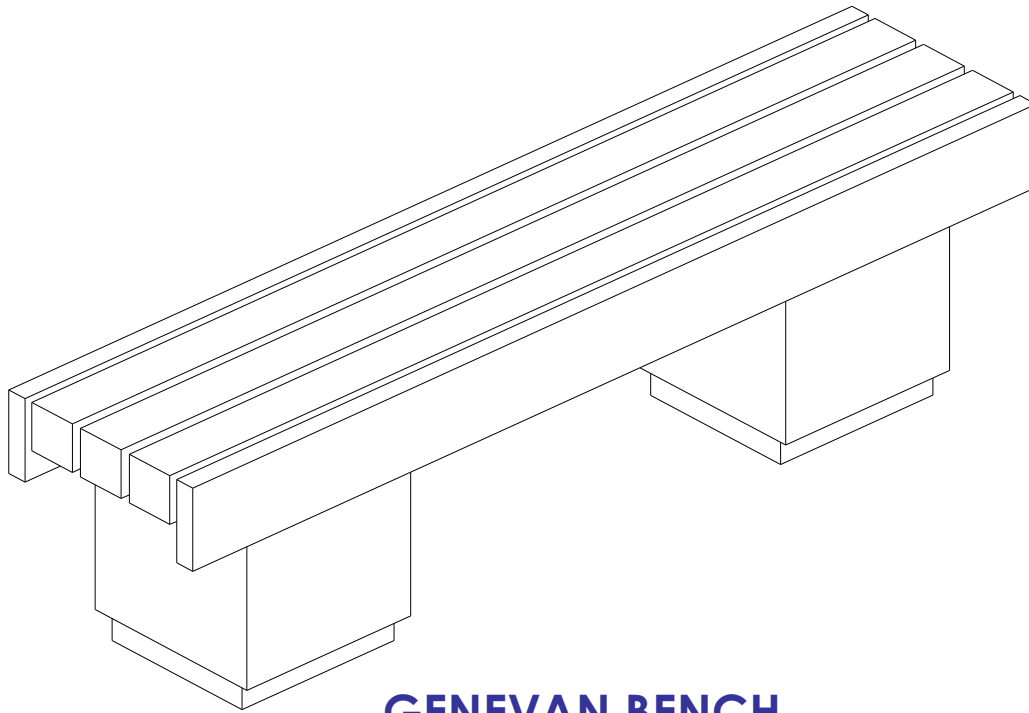
SIDE VIEW

Each concrete unit weighs approx. 80 pounds.

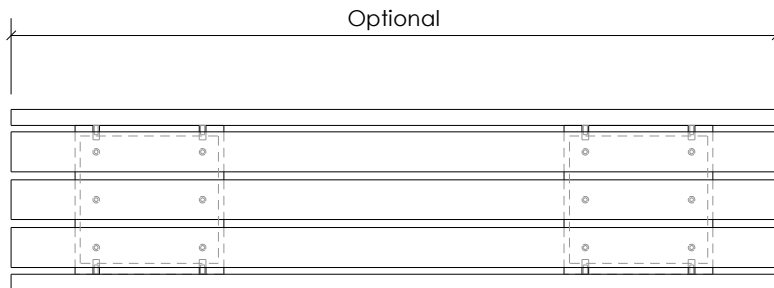


326 Hardscratch Road
RR#4 Box 5618
Yarmouth, Nova Scotia
B5A 4A8

Ph: (902)742-7811
Fax: (902)742-7127
www.borcherdtconcrete.com
Email: info@borcherdtconcrete.com

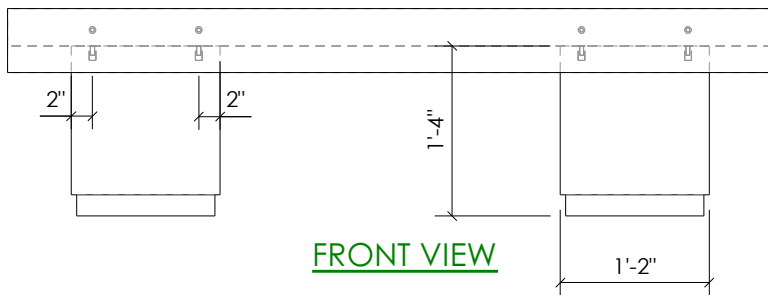


GENEVAN BENCH

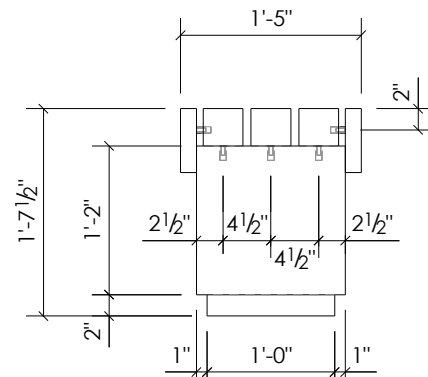


PLAN VIEW

- OPTIONS:**
- Available in M3 & H3 finishes (see attached colour chart)
 - Precast components only
 - Wood by others
 - Inserts in bottom for boltdown
 - Benches longer than 7'-0" will require a third end



FRONT VIEW



SIDE VIEW

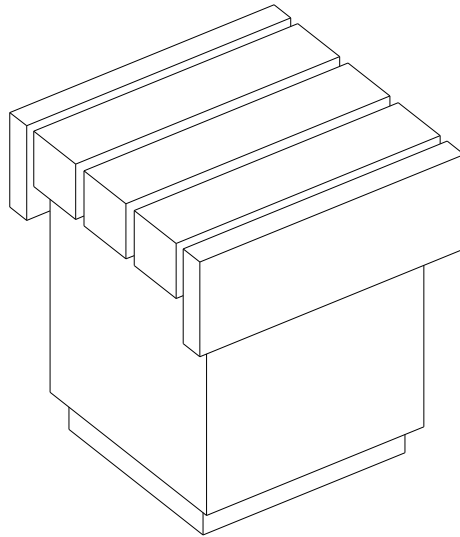
Each concrete unit weighs approx. 265 pounds.



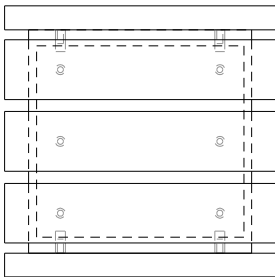
326 Hardscratch Road
 RR#4 Box 5618
 Yarmouth, Nova Scotia
 B5A 4A8

Ph: (902)742-7811
 Fax: (902)742-7127
 www.borcherdtconcrete.com
 Email: info@borcherdtconcrete.com

Rev.0 May 2014



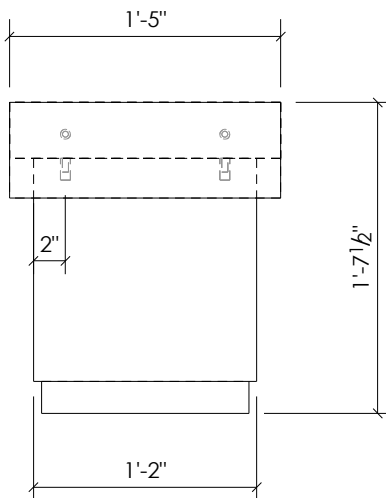
ROMAN STOOL



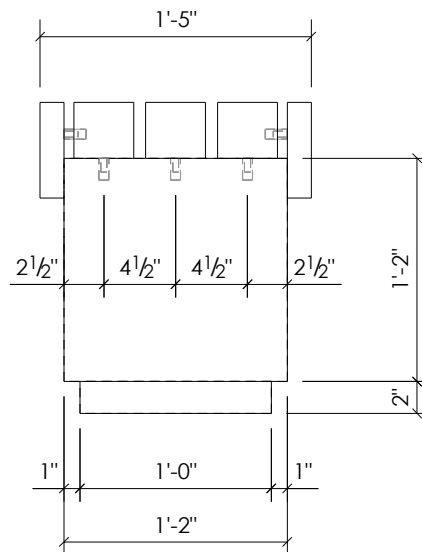
TOP VIEW

OPTIONS:

- Available in M3 & H3 finishes (see attached colour chart)
- Precast components only
- Wood by others
- Inserts in bottom for bolt-down



FRONT VIEW



SIDE VIEW

Complete unit shown weighs approx. 250 pounds.

BORCHERDT
concrete products

326 Hardscratch Road
RR#4 Box 5618
Yarmouth, Nova Scotia
B5A 4A8

Ph: (902)742-7811
Fax: (902)742-7127
www.borcherdtconcrete.com
Email: info@borcherdtconcrete.com

Rev 0 May 2014